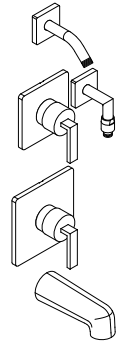




Location:



TUB/SHOWER/HAND SHOWER TRIM MODEL: 0142-06-L/HDHSB-SS-TRM SPECIFICATION SUBMITTAL

FEATURE HIGHLIGHTS

Tub/Shower/Hand Shower Trim shall include metal lever handles, shower arm with decorative flange, hand shower coupling with flange, in-line vacuum breaker and non-diverter tub spout.

Tub/Shower/Hand Shower Trim shall be metal construction plated in standard polished chrome finish.

COMPLIANCE

- ASME A112.18.1/CSA B125.1
- ASSE 1014 (in-line vacuum breaker for back flow protection)

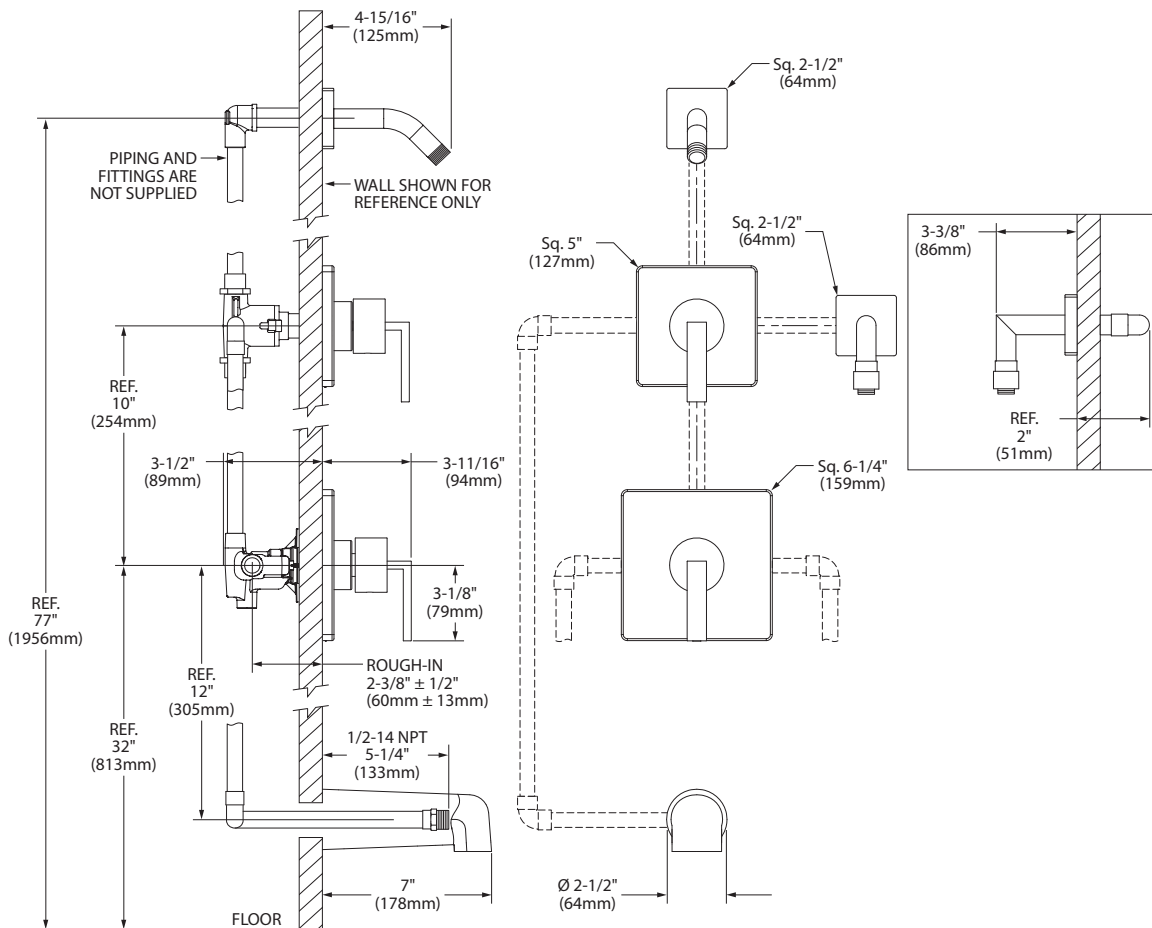


WARRANTY

5 Years - for industrial/commercial installations.

Refer to symmons.com/warranty for complete warranty information.

DIMENSIONS



Note: Dimensions subject to change without notice.