

**TUB/SHOWER/HAND SHOWER TRIM**  
**MODEL: 0142-06-L/HDHSB-SS-TRM**  
**INSTALLATION GUIDE**

**FEATURE HIGHLIGHTS**

Tub/Shower/Hand Shower Trim shall include metal lever handles, shower arm with decorative flange, hand shower coupling with flange, in-line vacuum breaker and non-diverter tub spout.

Tub/Shower/Hand Shower Trim shall be metal construction plated in standard polished chrome finish.

**COMPLIANCE**

- ASME A112.18.1/CSA B125.1
- ASSE 1014 (in-line vacuum breaker for back flow protection)

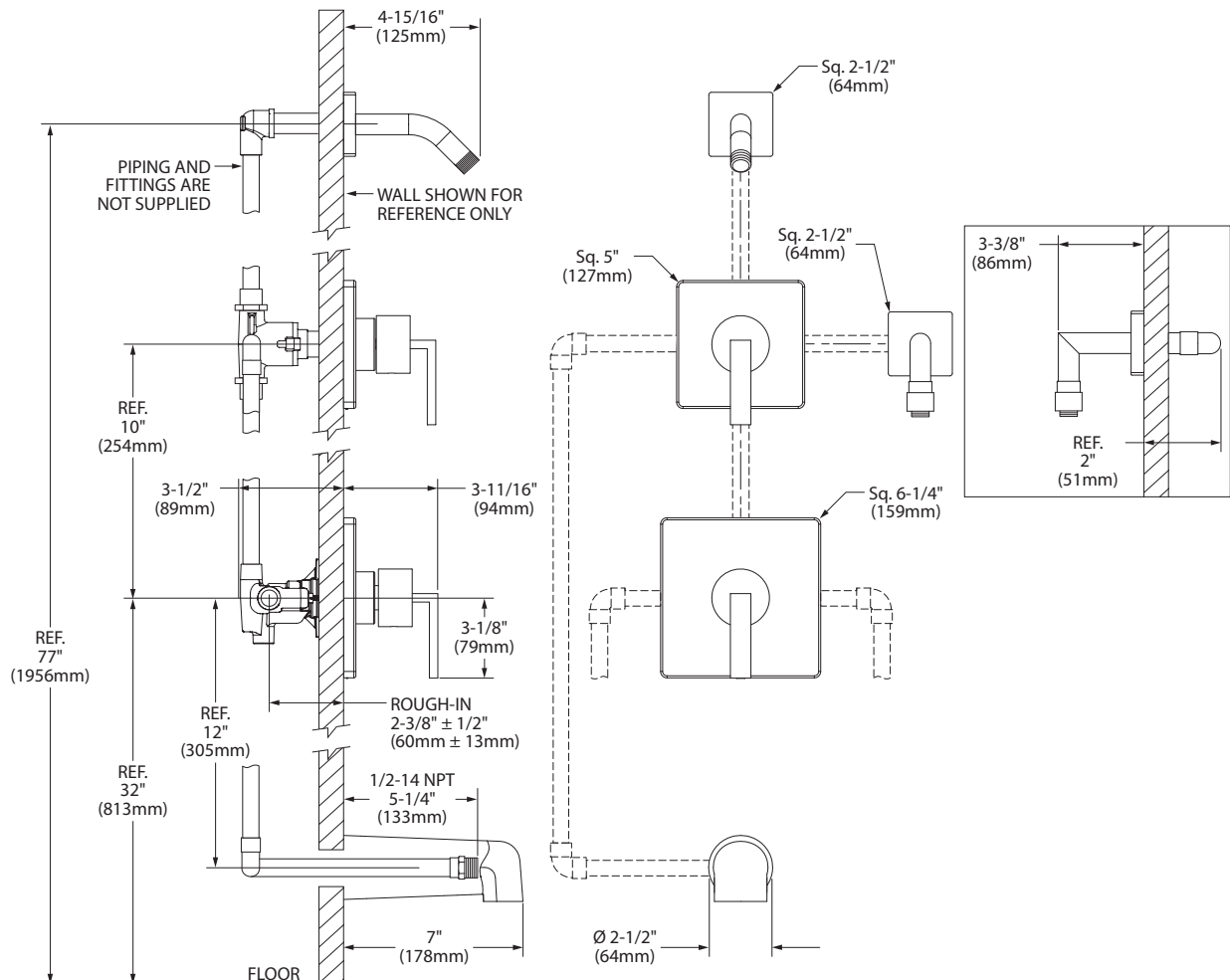


**WARRANTY**

**5 Years** - for industrial/commercial installations.

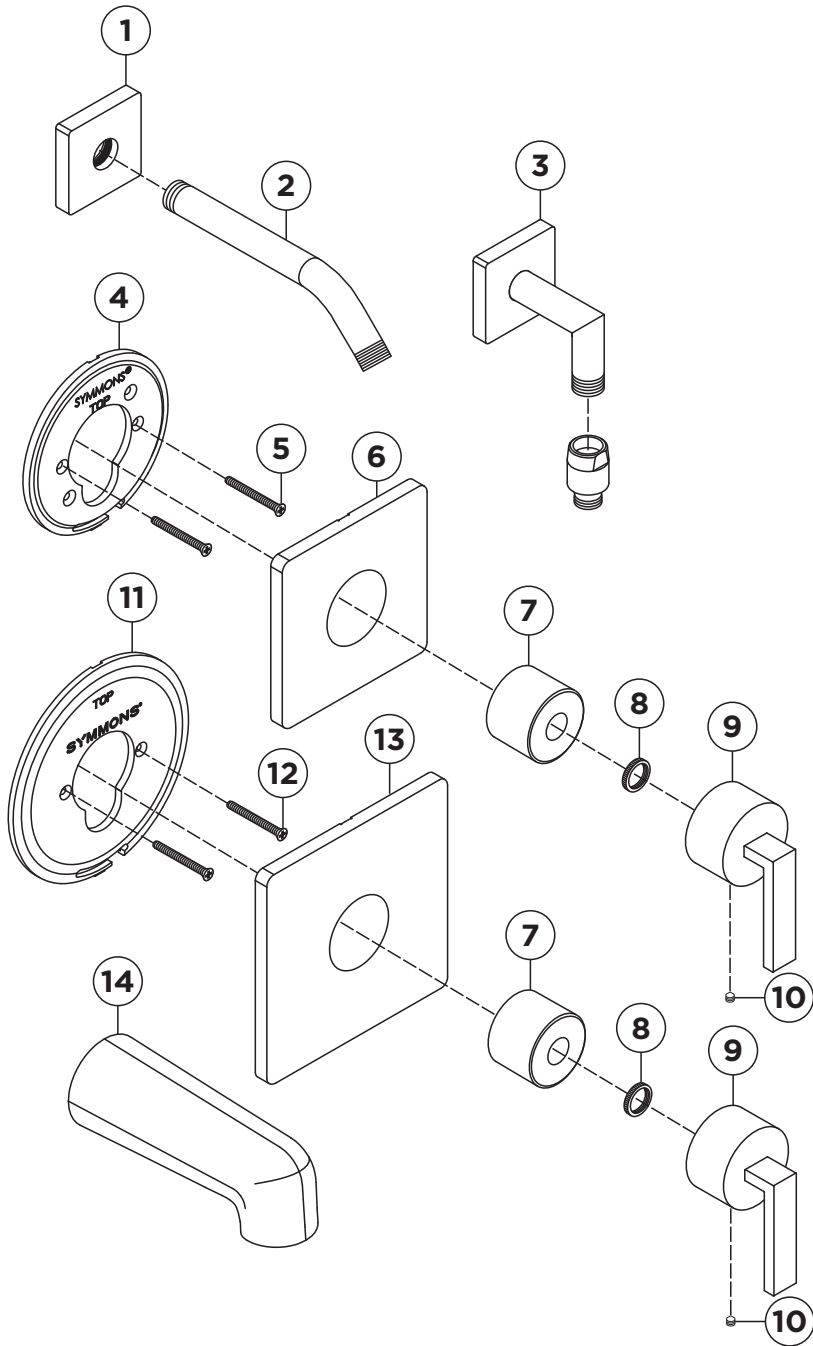
Refer to [symmons.com/warranty](http://symmons.com/warranty) for complete warranty information.

**DIMENSIONS**



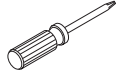

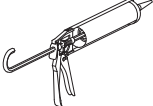


**Note:** Dimensions subject to change without notice.

# INSTALLATION/PARTS BREAKDOWN



Item	Description	Part Number
1	Flange	300SQ
2	Shower Arm	300SQ
3	Flange & Coupling	T-375-KIT
4	Mounting Plate	RTS-069
5	Mounting Screws	
6	Diverter Escutcheon	
7	Dome Cover	T-19/20
8	Lock Nut	
9	Handle	RTS-068
10	Set Screw	
10	Set Screw	TS-18A
11	Mounting Plate	RTS-065
12	Mounting Screws	
13	Shower Escutcheon	
14	Tub Spout	067

Tools Required	
Adjustable Wrench	
Allen Wrench: Handle (3mm)	
Phillips Head Screwdriver	
Plumber Tape	
Silicone	

## Notes:

- 1) Apply a bead of silicone around the perimeter of all shower trim installed flush to the finished wall (less mounting plates and brackets). Leave opening on bottom of escutcheon for weep hole.
- 2) Apply plumber tape to threaded connections as necessary. DO NOT use plumber tape on fittings with face seal washers or o-rings.

**⚠ WARNING:** This product can expose you to chemicals including lead, which is known to the state of California to cause cancer, birth defects, or other reproductive harm. For more information, go to [www.P65Warnings.ca.gov](http://www.P65Warnings.ca.gov).