





SYMMONS® DS Creations

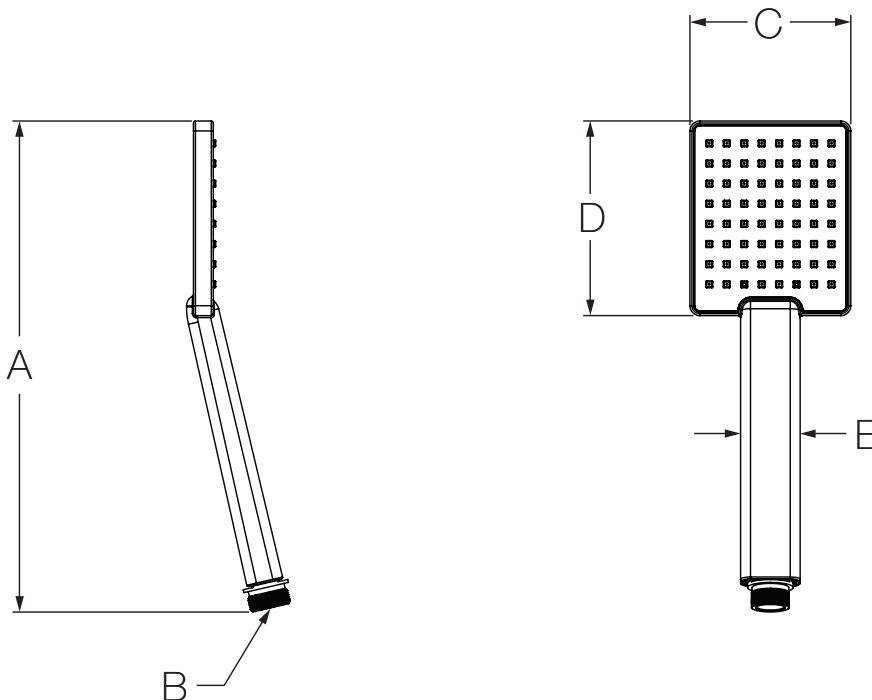
the smart choice™

0195-2W (CD0195-2W)
 Square Hand Shower
Installation Guide



Model Numbers	Specification
<input type="checkbox"/> 0195-2W <i>Square Hand Shower</i>	Square Hand Shower shall include 2.0 gpm (7.6 L/min) flow restrictor. Square Hand Shower shall be made from plastic construction, plated in standard polished chrome finish.
Modifications	Compliance
<input type="checkbox"/> -1.5 1.5 gpm (5.7 L/min) flow restrictor	-ASME A112.18.1/CSA B125.1 -WaterSense @ 1.5 gpm & 2.0 gpm
<p>Note: Append appropriate -suffix to model number.</p>	 
	Warranty Limited Lifetime - to the original end purchaser in consumer/residential installations. 5 Years - for industrial/commercial installations. Refer to www.symmons.com/warranty for complete warranty information.

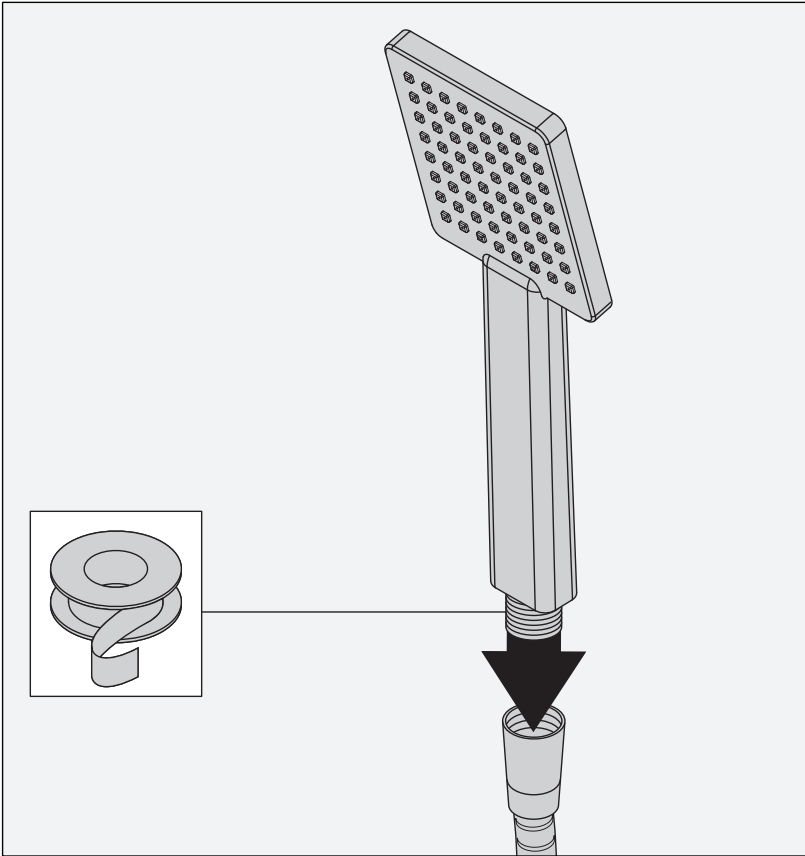
Dimensions





Measurements	
A	9-11/16", 246 mm
B	G 1/2"
C	3-3/16", 81 mm
D	3-7/8", 98 mm
E	1-3/16", 30 mm

Note: Dimensions subject to change without notice.

Parts Breakdown



Tools Required for Installation	
Adjustable Wrench	
Plumber Tape	

Note: Apply plumber tape to threaded connection.

⚠ WARNING: This product can expose you to chemicals including lead, which is known to the state of California to cause cancer, birth defects, or other reproductive harm. For more information, go to www.P65Warnings.ca.gov.