

Location:



SYMMONS® Duro ActivSense™



SD6360BL & SD6360EL

Sensor Soap Dispenser

Specification Submittal

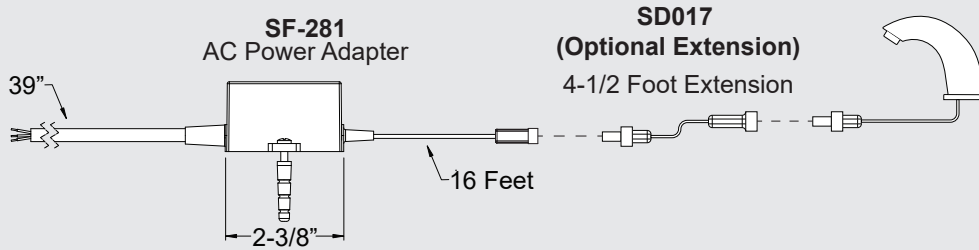
Model Numbers	Feature Highlights
<input type="checkbox"/> SD6360BL Sensor Soap Dispenser 6X1.5V Batteries included	<ul style="list-style-type: none">• LEED Rating• Robust brass body• Adjustable settings• Easy to install• ADA compliant• Anti Rotation Pins
<input type="checkbox"/> SD6360EL Sensor Soap Dispenser 12V Transformer	
Finish Options/Modifications	
<input type="checkbox"/> STN Satin Nickel finish	
<input type="checkbox"/> MB Matte Black finish	
Note: Append appropriate suffix to model number.	
Options (sold as separate line items add appropriate)	
<input type="checkbox"/> RC6960SDL Remote Control	
<input type="checkbox"/> S6360B Matching Duro Sensor Faucet.	
<input type="checkbox"/> SD010 Converts SD6360BL to AC powered (SD6360EL)	
	Compliance
	-UL# E311169 (USA & Canda) -Buy American Act Compliant
	Warranty
	Limited Lifetime - to the original end purchaser in consumer/residential installations. 10 Years - for commercial/industrial installations. Refer to www.symmons.com/warranty for complete warranty information.

Architectural/ Engineering Specification

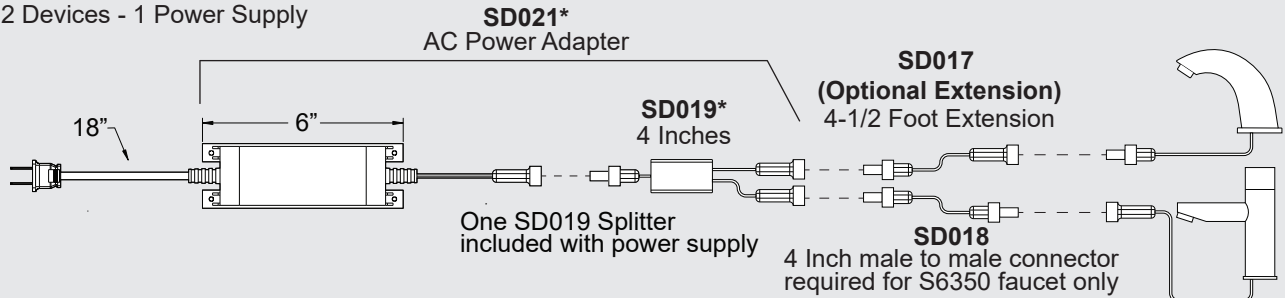
Symmons Duro ActivSense Sensor Soap Dispenser _____ With LEED Rating, Robust brass body, Adjustable settings, Easy to install, ADA compliant, Anti Rotation Pins. 10 Year commercial Warranty. UL# E311169 (USA & Canda), Buy American Act compliant. Available options include: "STN - Satin Nickel finish", "MB -Matte Black finish", "RC6960SDL -Remote Control", "S6360B - Matching Duro Sensor Faucet", "SD010 - Converts SD6360BL to AC powered (SD6360EL)".

Power Layout

1 Devices - 1 Power Supply

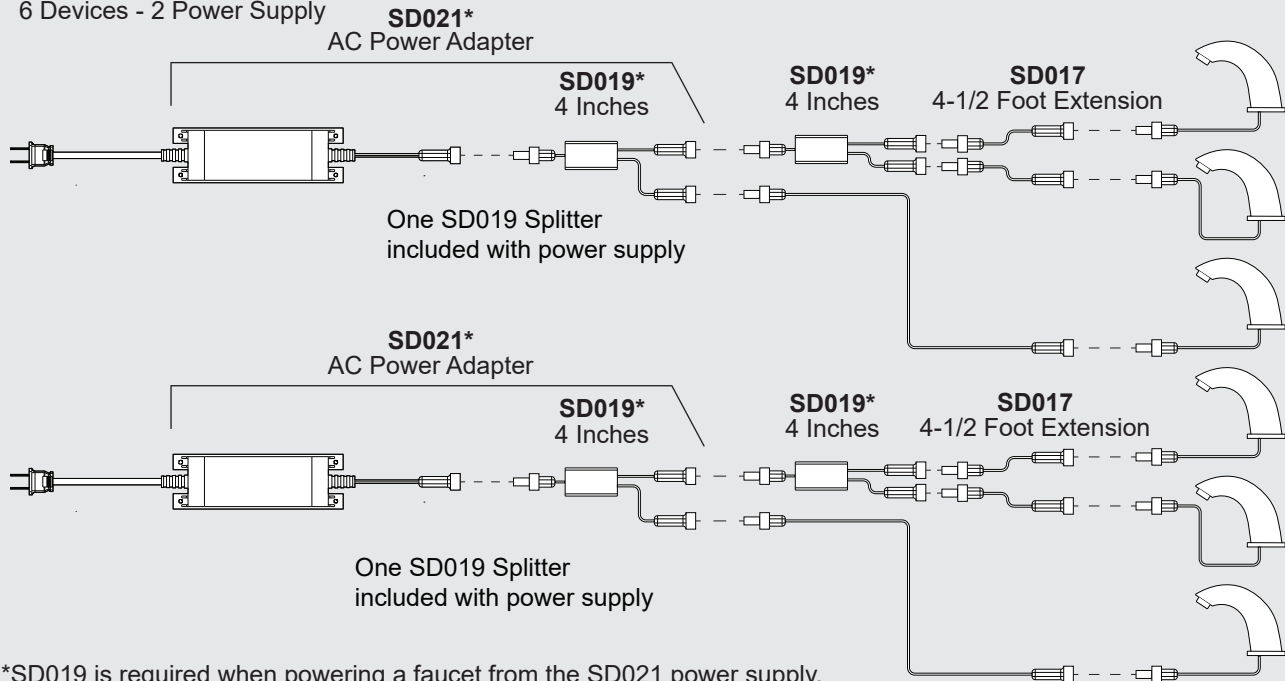


2 Devices - 1 Power Supply



*SD019 is required when powering a faucet from the SD021 power supply.

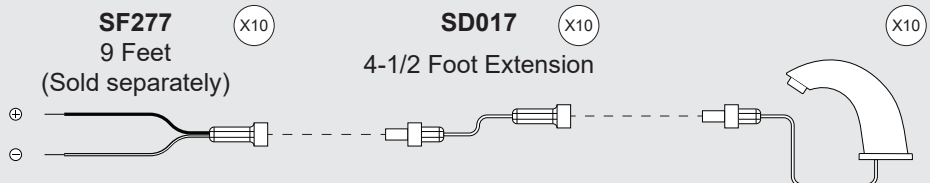
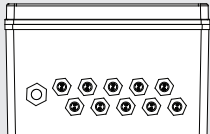
6 Devices - 2 Power Supply



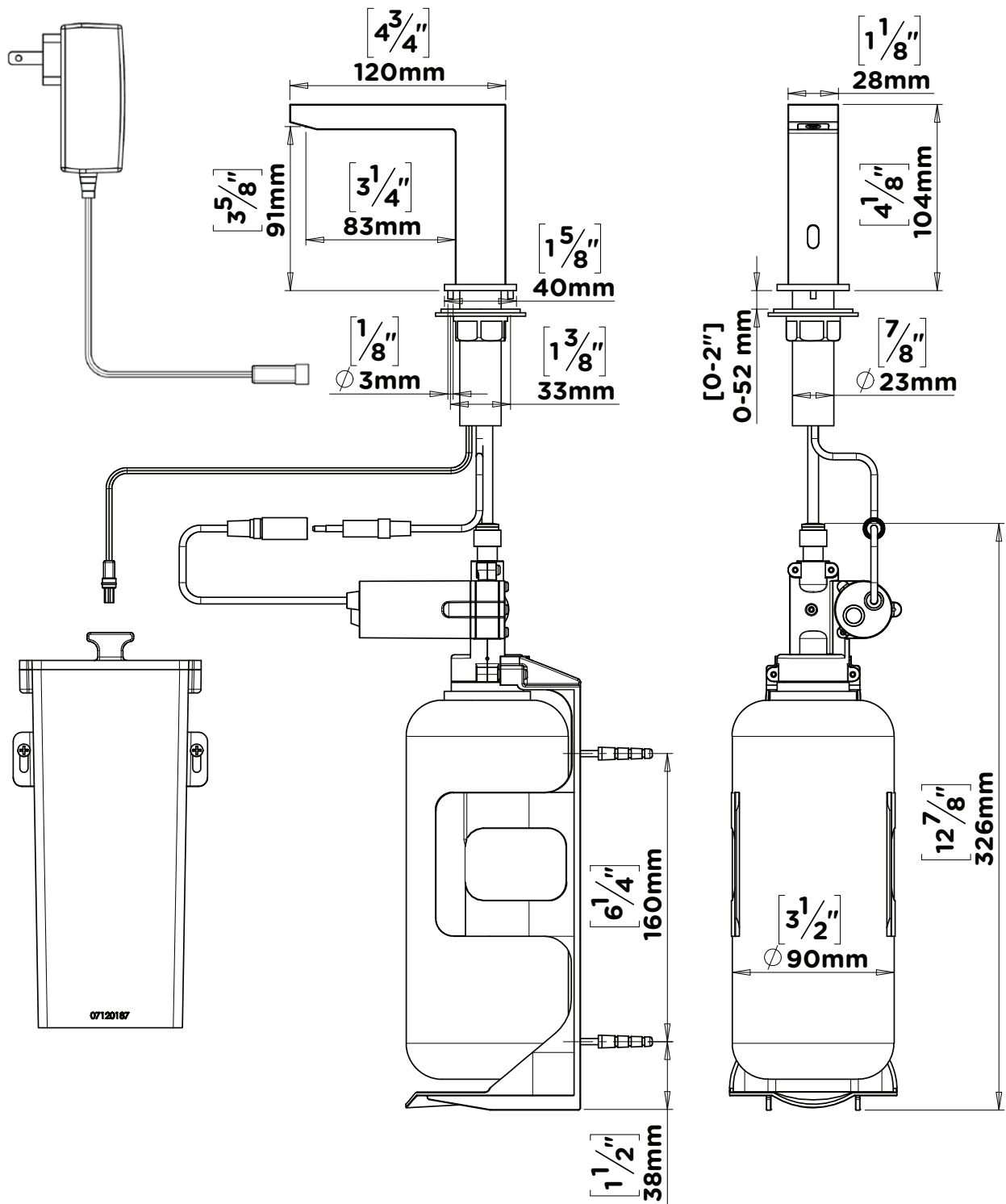
*SD019 is required when powering a faucet from the SD021 power supply.

10 Devices - 1 Power Supply

SF278
 120V Cable 4.5 feet long
 Hard wired 15 Amp circuit.
 (QTY:10) 12 Volt Outputs, 4.2A
 Any combination of devices
 10 devices maximum
 (SF277 not included)



Dimensions



Note: Dimensions subject to change without notice.