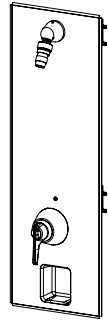


Location:



SYMMONS HYDAPIPE®

H911RS
Surface Mounted Shower System
Specification Submittal



Displayed: H911RS

Model Numbers

- H911RS** Through wall piping configuration with soap dish

Options/ Modifications

- RS** Remove Modifier for Less Recessed soap dish
- 56** Pressure balancing + metering dual supply
- WD** Winter drain relief valve on supply (only available with single supply modifiers)
- L1** Less shower head
- 15** 1.5 gpm (5.7 L/min) flow restrictor
- 21** Manual shut-off - Cross handle
- 22** Manual shut-off - lever handle
- 60** Metering Shut-off

Feature Highlights

- Pressure Balancing mixing valve with screw driver service stops and adjustable stop screw to limit handle turn
- Shower head is Fre-Flo, all brass with ball joint
- Stainless steel covering to be 16 gauge with #4 brush finish
- 2.0 gpm (7.6 L/min) standard flow rate

Compliance

- ASME A112.18.1/CSA B125.1
- ASSE 1016



Warranty

Limited Lifetime - to the original end purchaser in consumer/residential installations.
10 Years - for commercial/industrial installations. Refer to www.symmons.com/warranty for complete warranty information.

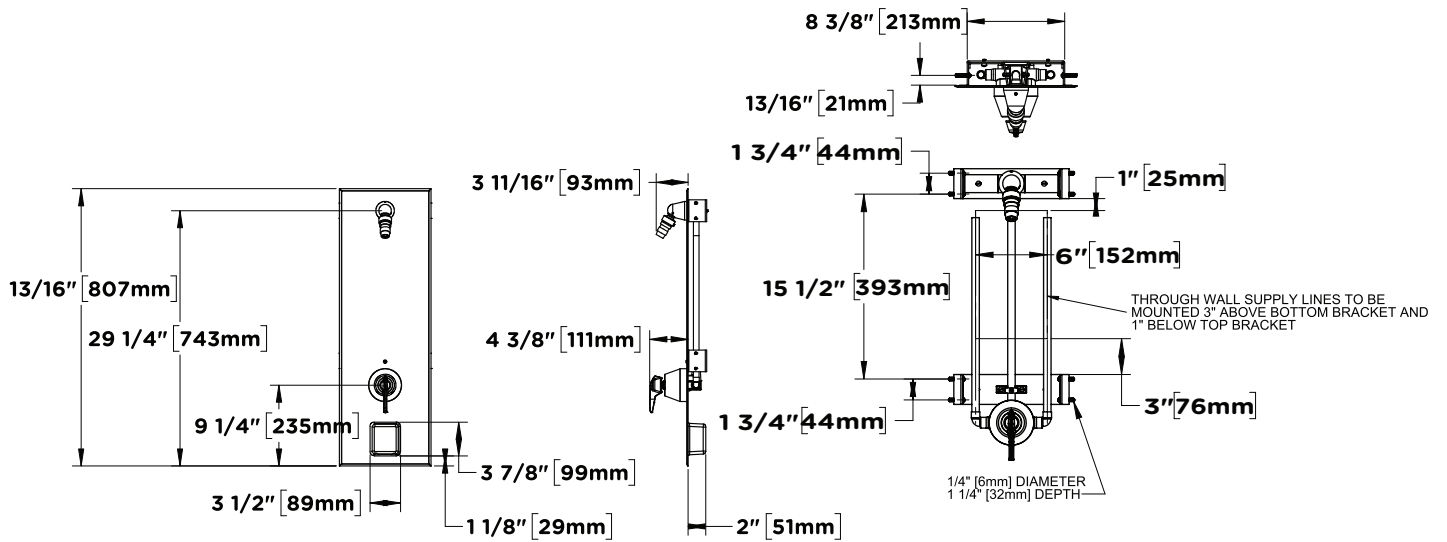


Note: Append appropriate -suffix to model number.

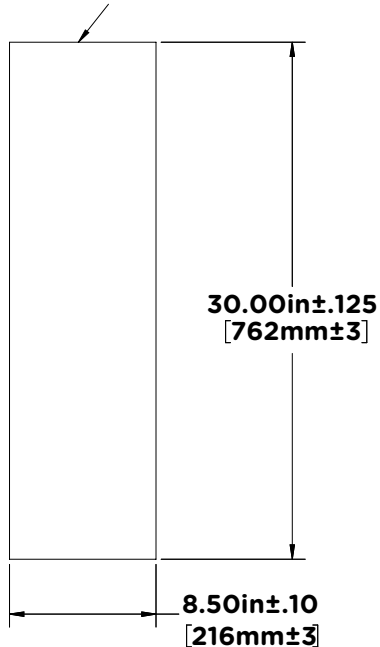
Architectural/ Engineering Specification

Symmons Surface Mounted Shower System _____ Includes Pressure Balancing mixing valve with screw driver service stops and adjustable stop screw to limit handle turn, Shower head is Fre-Flo, all brass with ball joint, Stainless steel covering to be 16 gauge with #4 brush finish, 2.0 gpm (7.6 L/min) standard flow rate. 10 Year Commercial Warranty. ASME A112.18.1/CSA B125.1, ASSE 1016 compliant. Available options: "RS - Recessed soap dish", "56 - Pressure balancing + metering dual supply", "WD - Winter drain relief valve on supply (only available with single supply modifiers)", "L1 - Less shower head", "15 - 1.5 gpm (5.7 L/min) flow restrictor", "21 - Manual shut-off - Cross handle", "22 - Manual shut-off - lever handle", "60 - Metering Shut-off".

Dimensions



HOLE DEPTH 2.205" MINIMUM



Hole Cutout Dimensions