

# Location:




## S-6603-TRM, S6603TRMTC Hand Shower Trim Specification Submittal



### Feature Highlights

- Unity Hand Shower Trim
- Requires Temptrol® Pressure Balancing Tub/Shower Valve
- Integral volume control
- Metal lever handle
- Cradle for hand shower wand
- 60" flexible metal hose
- 1 mode hand shower
- Dual checks for backflow protection
- 2.0 gpm (7.6 L/min) flow restrictor
- Components shall be metal and nonmetallic construction, plated in standard Polished Chrome finish
- Available with TA-10 flow control spindle and T-12A cap assembly for Temptrol valve bodies installed with Test Cap (order p/n S6603TRMTC)
- For optional in-line vacuum breaker order p/n EF-109

### Options/Modifications

- 1.5**  1.5 gpm (5.7 L/min) flow restrictor
- L2** Less hand shower wand
- L7** Less handle
- STN** Satin Nickel finish

**Note:** Append appropriate -suffix to model number.

### Compliance

- ASME A112.18.1/CSA B125.1
- WaterSense 1.5 gpm (5.7 L/min)  
2.0 gpm (7.6 L/min)

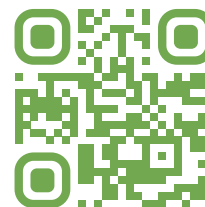


### Model Numbers

- S-6603-TRM**  
Hand Shower Trim with integral volume control, Temptrol Pressure Balancing Tub/Shower Valve ordered separately
- S6603TRMTC**  
Hand Shower Trim with integral volume control, TA-10 flow control spindle and T-12A cap assembly, must order Temptrol valve with Test Cap

### Warranty

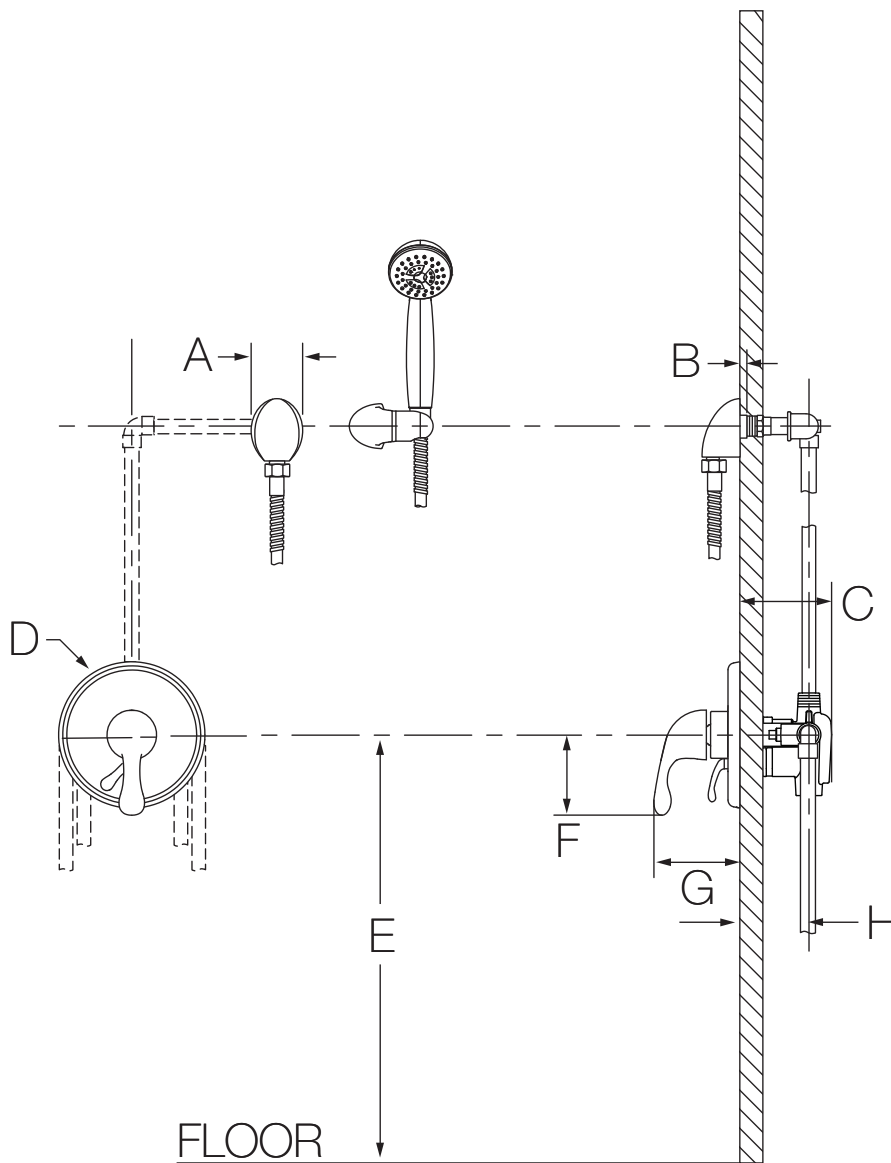
**Limited Lifetime** - to the original end purchaser in consumer/residential installations.  
**10 Years** - for commercial/industrial installations. Refer to [www.symmons.com/warranty](http://www.symmons.com/warranty) for complete warranty information.



### Architectural/ Engineering Specification

Symmons \_\_\_\_\_ With Unity Hand Shower Trim, Requires Temptrol® Pressure Balancing Tub/Shower Valve, Integral volume control, Metal lever handle, Cradle for hand shower wand, 60" flexible metal hose, 1 mode hand shower, 2.0 gpm (7.6 L/min) flow restrictor, components shall be metal and nonmetallic construction, plated in standard Polished Chrome finish, Available with TA-10 flow control spindle and T-12A cap assembly for Temptrol valve bodies installed with Test Cap (order p/n S6603TRMTC). 10 Year commercial Warranty. ASME A112.18.1/CSA B125.1, WaterSense 1.5 gpm (5.7 L/min), 2.0 gpm (7.6 L/min) Complaint. Available options include "1.5 - 1.5 gpm (5.7 L/min) flow restrictor", "L2 - Less hand shower wand", "L7 - Less handle", "STN - Satin nickel finish".

## Dimensions



Measurements	
A	2-1/8", 54 mm
B	Male 1/2" IPS fitting must be recessed 1/4" (6 mm) from finished wall
C	3-1/2", 89 mm
D	Ø 6-3/8", 162 mm
E	Ref. 42", 1067 mm
F	3-1/2", 89 mm
G	3-3/4", 95 mm
H	Rough-in 2-3/8" ± 1/2", 60 mm ± 13 mm

### Notes:

- 1) Valve body and piping not included and shown as reference only.
- 2) Plaster shield (p/n T-176) for dry wall, plaster or other type walls 1/2" or greater.
- 3) All dimensions measured from nominal rough-in (see H as reference).
- 4) Dimensions subject to change without notice.