







Location:



S-4201-TRM, S4201TRMTC

Shower Trim

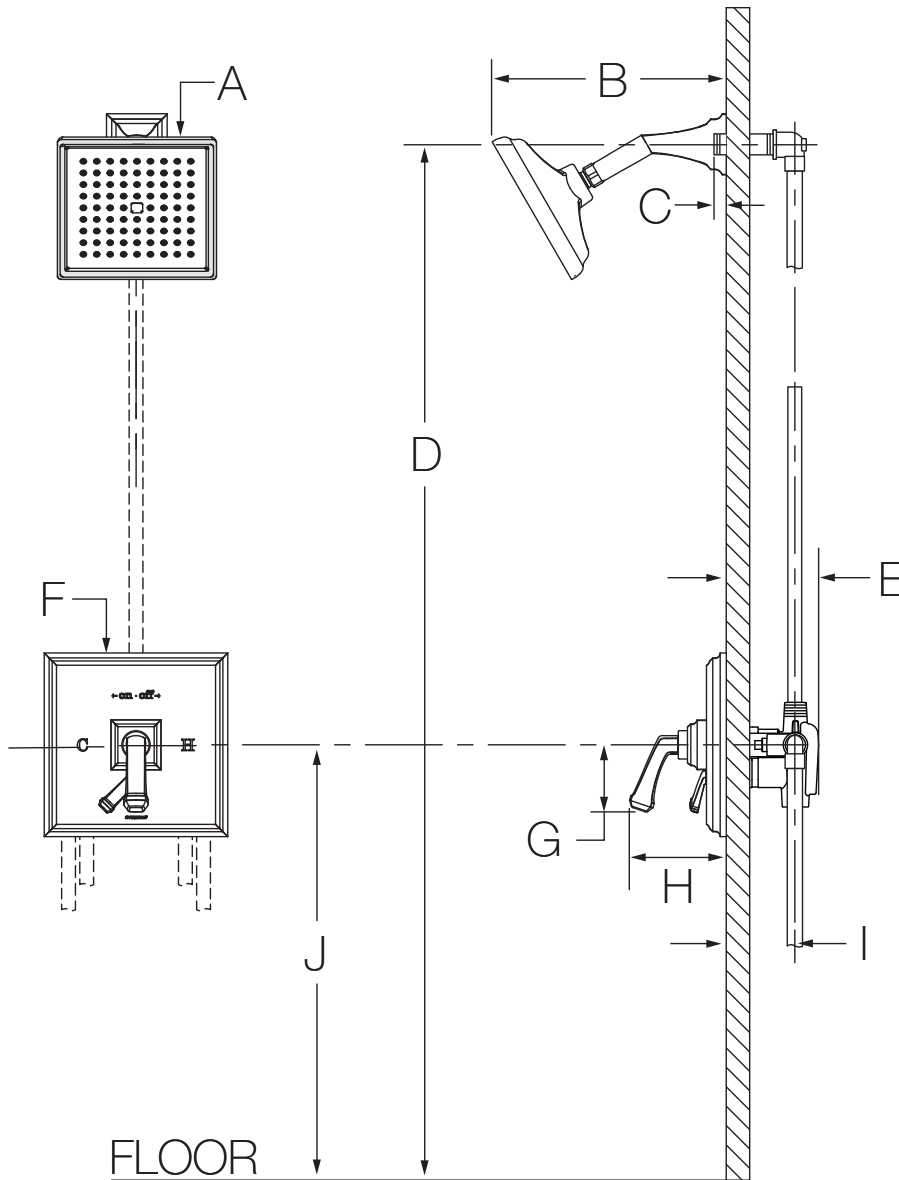
Specification Submittal

Model Numbers	Feature Highlights
<p><input type="checkbox"/> S-4201-TRM Shower Trim with integral volume control, Temptrol Pressure Balancing Shower Valve ordered separately</p> <p><input type="checkbox"/> S4201TRMTC Shower Trim with integral volume control, TA-10 flow control spindle and T-12A cap assembly, must order Temptrol valve with Test Cap</p>	<ul style="list-style-type: none"> • Oxford Shower Trim • Requires Temptrol® Pressure Balancing Shower Valve • Integral volume control • Metal lever handle • 1 mode showerhead • 2.0 gpm (7.6 L/min) flow restrictor • Tub spout not included • Components shall be metal and nonmetallic construction, plated in standard Polished Chrome finish • Available with TA-10 flow control spindle and T-12A cap assembly for Temptrol valve bodies installed with Test Cap (order p/n S4201TRMTC)
<p>Options/ Modifications</p> <p><input type="checkbox"/> 1.5  1.5 gpm (5.7 L/min) flow restrictor</p> <p><input type="checkbox"/> STN Satin Nickel finish</p> <p><input type="checkbox"/> L1 Less showerhead</p> <p>Note: Append appropriate -suffix to model number.</p>	
Compliance	Warranty
<p>- ASME A112.18.1/CSA B125.1</p> <p>- WaterSense 1.5 gpm (5.7 L/min) 2.0 gpm (7.6 L/min)</p>  	<p>Limited Lifetime - to the original end purchaser in consumer/residential installations.</p> <p>10 Years - for commercial/industrial installations. Refer to www.symmons.com/warranty for complete warranty information.</p> 

Architectural/ Engineering Specification

Symmons Oxford Shower Trim _____ Includes Oxford Shower Trim, Requires Temptrol® Pressure Balancing Shower Valve, Integral volume control, Metal lever handle, 1 mode showerhead, 2.0 gpm (7.6 L/min) flow restrictor, Tub spout not included, Components shall be metal and nonmetallic construction, plated in standard Polished Chrome finish, Available with TA-10 flow control spindle and T-12A cap assembly for Temptrol valve bodies installed with Test Cap (order p/n S4201TRMTC). 10 Year Commercial Warranty. ASME A112.18.1/CSA B125.1, WaterSense 1.5 gpm (5.7 L/min), 2.0 gpm (7.6 L/min) compliant. Available options: "1.5 - 1.5 gpm (5.7 L/min) flow restrictor", "STN - Satin Nickel finish", "L1 - Less showerhead".

Dimensions



Measurements	
A	Sq. 6-1/2" 165 mm
B	9-5/8" 245 mm
C	1/2", 13 mm
D	Ref. 77", 1956 mm
E	3-1/2", 89 mm
F	Sq. 7-1/2", 191 mm
G	2-9/16", 65 mm
H	4", 102 mm
I	Rough-in
	2-3/8" ± 1/2", 60 mm ± 13 mm
J	Ref. 42", 1067 mm

Notes:

- 1) Valve body and piping not included and shown as reference only.
- 2) Plaster shield (p/n T-176) for dry wall, plaster or other type walls 1/2" or greater.
- 3) All dimensions measured from nominal rough-in (see I as reference).
- 4) Dimensions subject to change without notice.