

Location:



Showerhead 412SH

Specification Submittal



Model Numbers

- 412SH Showerhead

Finish Options / Modifications

Append appropriate -suffix to model number.

- STN Satin nickel finish**
- PNL Polished nickle finish**
 - **Polished chrome finish (standard finish)**
- BBZ Brushed Bronze finish**

Options / Modifications

Append appropriate -suffix to model number.

- CG** -1.5 1.5 gpm (5.7 L/min) Flow rate restrictor
- CG** -1.75 1.75 gpm (6.6 L/min) Flow rate restrictor

Feature Highlights

- Three mode showerhead
- 2.0 gpm (7.6 /min) standard flow rate
- Polished chrome finish (standard)

Standards / Certifications

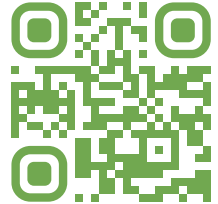
ASME A112.18.1/CSA B125.1
WaterSense 1.5 gpm (5.7 L/min)
1.75 gpm (6.6 L/min)
2.0 gpm (7.6 L/min)



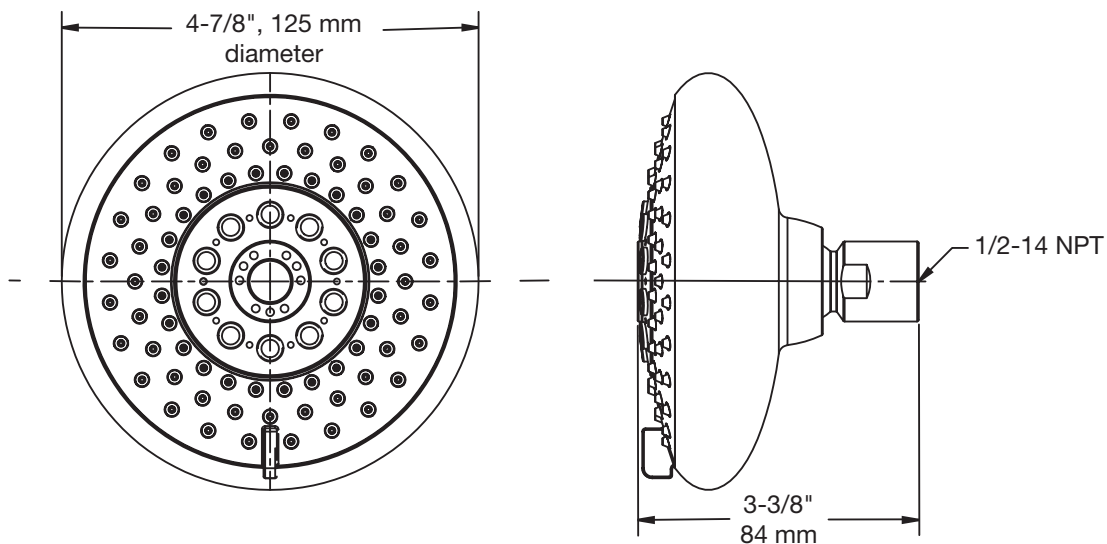
Warranty

Limited Lifetime - to the original end purchaser in consumer/residential installations.

10 Years - for commercial/industrial installations. Refer to www.symmons.com/warranty for complete warranty information.



Dimensions Showerhead, 412SH



Note: Dimensions subject to change without notice.