




S3690TRM
Shower Valve Trim
Specification Submittal

Location:

<p>Model Numbers</p> <p><input type="checkbox"/> S3690TRM Shower Valve Trim</p> <p>Valve Options: -S262 or S261 Series Temptrol® VersaFlex™ Shower Valve with TRM modifier -S162 or S161 Series Temptrol VersaFlex Shower Valve requires TC modifier</p>	<p>Options/Modifications</p> <p><input type="checkbox"/> TC Test Cap Trim (includes TA-10™ & T-12A) used with S161/S162 Series Temptrol VersaFlex Shower Valve</p> <p><input type="checkbox"/> L7 Less handle</p> <p><input type="checkbox"/> BBZ Brushed Bronze finish</p> <p><input type="checkbox"/> MB Matte Black finish</p> <p><input type="checkbox"/> STN Satin Nickel finish</p>
<p>Feature Highlights</p> <ul style="list-style-type: none"> Duro Shower Valve Trim. Requires Temptrol VersaFlex Pressure-Balancing Shower Valve. Integral diverter control. Metal lever handle. Components shall be metal and nonmetal construction, plated in standard Polished Chrome finish. 	<p>Warranty</p> <p>Limited Lifetime - for residential installations. 10 Years - for commercial/industrial installations. Refer to www.symmons.com/warranty for complete warranty information.</p> 
<p>Compliance</p> <ul style="list-style-type: none"> ASME® A112.18.1/CSA® B125.1 Lever handle meets ADA requirements for operation  	

SKU Builder

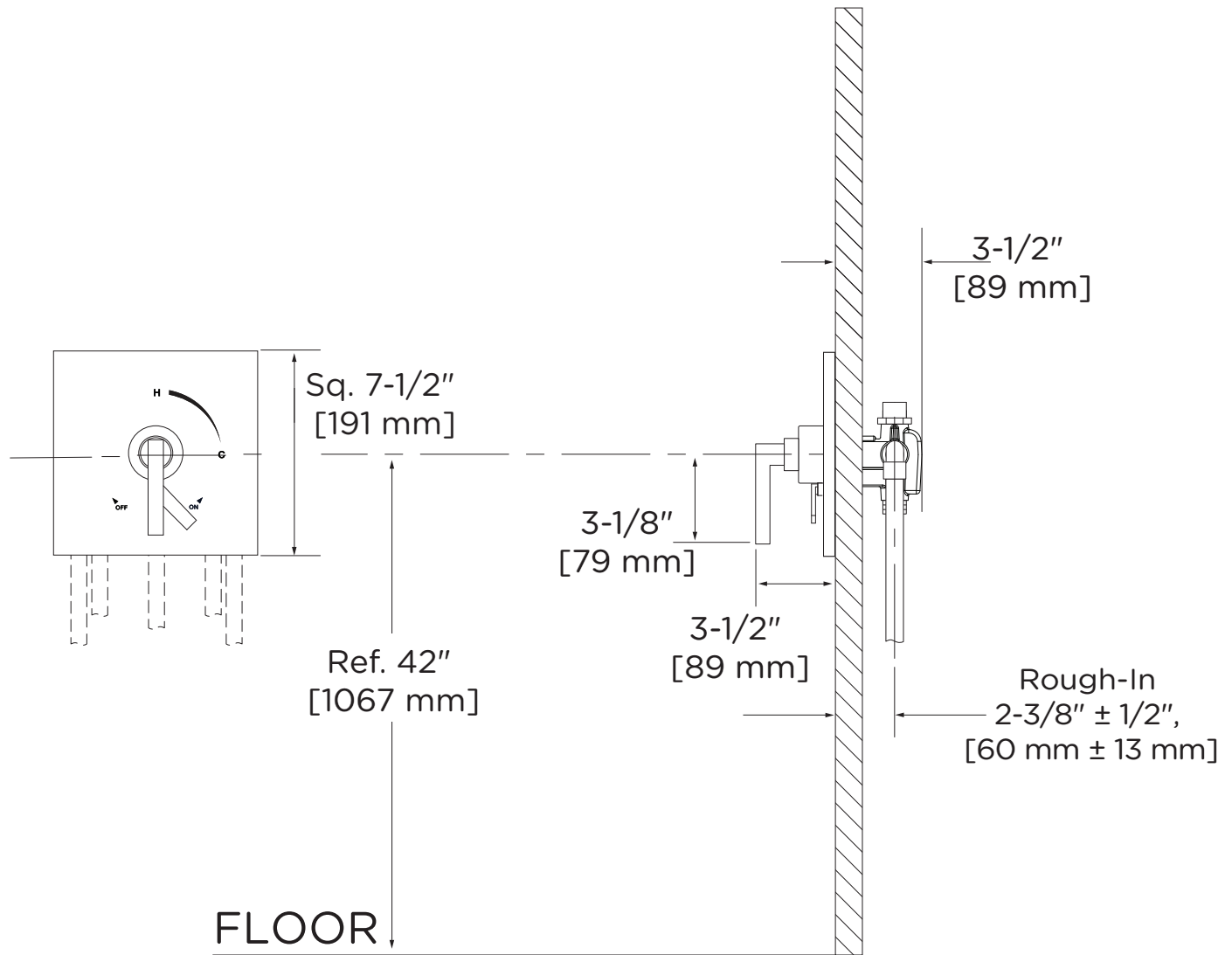
Series	Finish	Modifier	TRM (required)	TC	Final SKU
S3690	STN		TRM		S3690STNTRM
S3690	MB	L7	TRM	TC	S3690L7MBTRMTC

Notes: No more than two modifiers (L1-L7) permitted when ordering. Modifiers will list in numerical order.

Architectural/ Engineering Specification

Symmons Duro _____ Includes Duro Shower Valve Trim for Temptrol VersaFlex Pressure-Balancing Shower Valve. Features metal lever handle and integral diverter control. Components shall be metal and nonmetal construction, and plated in standard Polished Chrome finish. 10-Year Commercial Warranty. ASME A112.18.1/CSA B125.1 compliant. Lever handle meets ADA requirements for operation. Available options include: TC = Test Cap Trim, L7 = Less handle, BBZ = Brushed Bronze finish, MB = Matte Black finish, and STN = Satin Nickel finish.

Dimensions



Notes:

- 1) Valve body and piping not included and shown as reference only.
- 2) Plaster shield (p/n T-176) for drywall, plaster, or other type walls $\frac{1}{2}$ " or greater.
- 3) All dimensions measured from nominal rough-in.
- 4) Dimensions subject to change without notice.