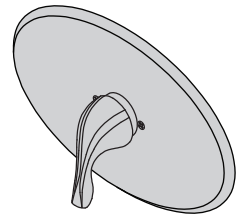






Location:

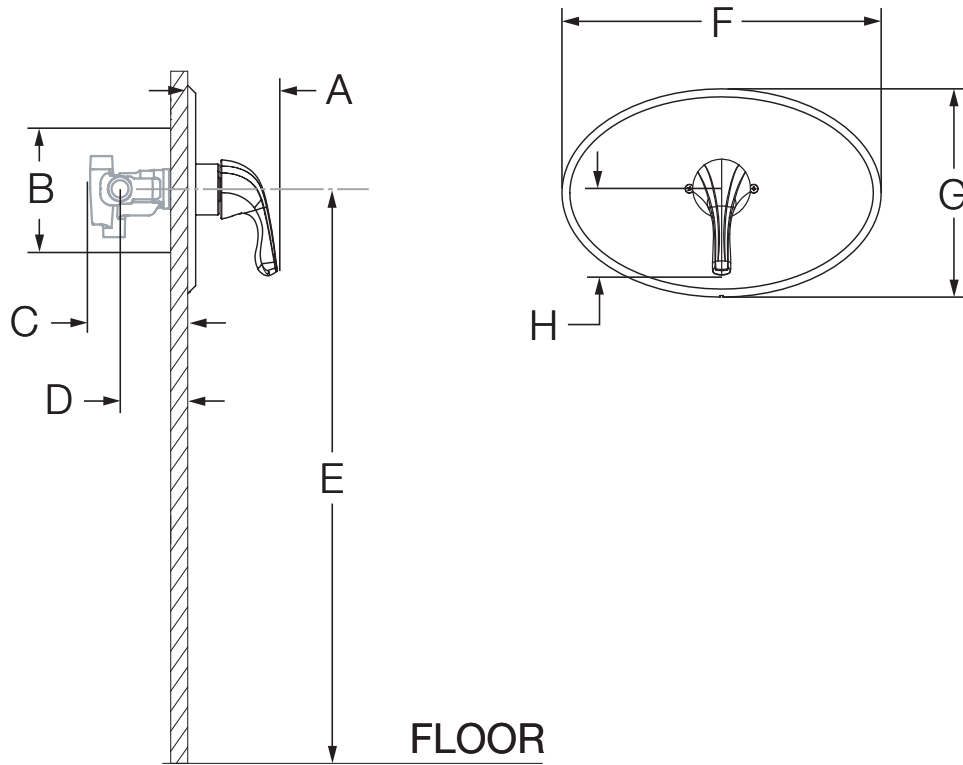


9600-PLR-OP  
Tub/Shower Valve

### Specification Submittal

Model Numbers	Specification
<input type="checkbox"/> <b>9600-PLR-OP</b> <i>Origins Tub/Shower Valve</i>	<p>Tub/shower valve powered by the Temptrol® Pressure Balancing valve. Valve body includes adjustable stop screw to limit handle turn. Components made from metal and nonmetallic materials plated in standard polished chrome finish.</p> <p> </p>
<b>Modifications</b>  <input type="checkbox"/> <b>-TRM</b> <i>Trim only, valve not included</i> <input type="checkbox"/> <b>-STN</b> <i>Satin Nickel finish</i>	
<b>Note:</b> Append appropriate -suffix to model number.	<b>Compliance</b>  -ASME A112.18.1/CSA B125.1  
	<b>Warranty</b>  <p><b>Limited Lifetime</b> - to the original end purchaser in consumer/residential installations.</p> <p><b>10 Years</b> - for commercial/industrial installations. Refer to <a href="http://www.symmons.com/warranty">www.symmons.com/warranty</a> for complete warranty information.</p> 

## Dimensions



Measurements	
A	3 5/8", 92 mm
B	Shower Valve Hole Size Min. Ø 3", 76 mm Max. Ø 4", 102 mm
C	3 1/2", 89 mm
D	Rough-in 2 3/8" ± 1/2", 60 mm ± 13 mm
E	Ref. 42", 1067 mm
F	13", 330 mm
G	8 1/4", 210 mm
H	3 1/2", 89 mm

### Notes:

- 1) All dimensions measured from nominal rough-in (see D as reference).
- 2) Dimensions subject to change without notice.