

Location:

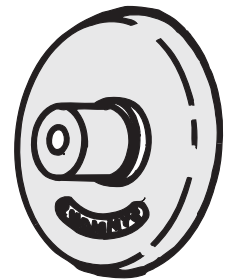


Showeroff Shower System, 3-310R Specification Submittal



Model Numbers

- 3-310 Showeroff Shower System that includes 4-427R valve and 4-295B showerhead



Options / Modifications

Append appropriate -suffix to model number.

- 2.0 2.0 (7.6 L/min) Flow rate restrictor
- 1.5 1.5 (5.7 L/min) Flow rate restrictor
- A Anchor plate for use with ceramic tile

Product Highlights

- 4-427R Showeroff shower limiter valve with 1/2 inch IPS back connection with rear mounted escutcheon.
- 4-295B Fre-flo institutional showerhead with adjustable spray and nozzle-type design for maximum protection against hard water mineral build-up
- Vandal resistant recessed hex socket type showerhead and valve mounting fasteners
- Back plate and thru-bolts for extra thick walls
- Standard Polished Chrome finish

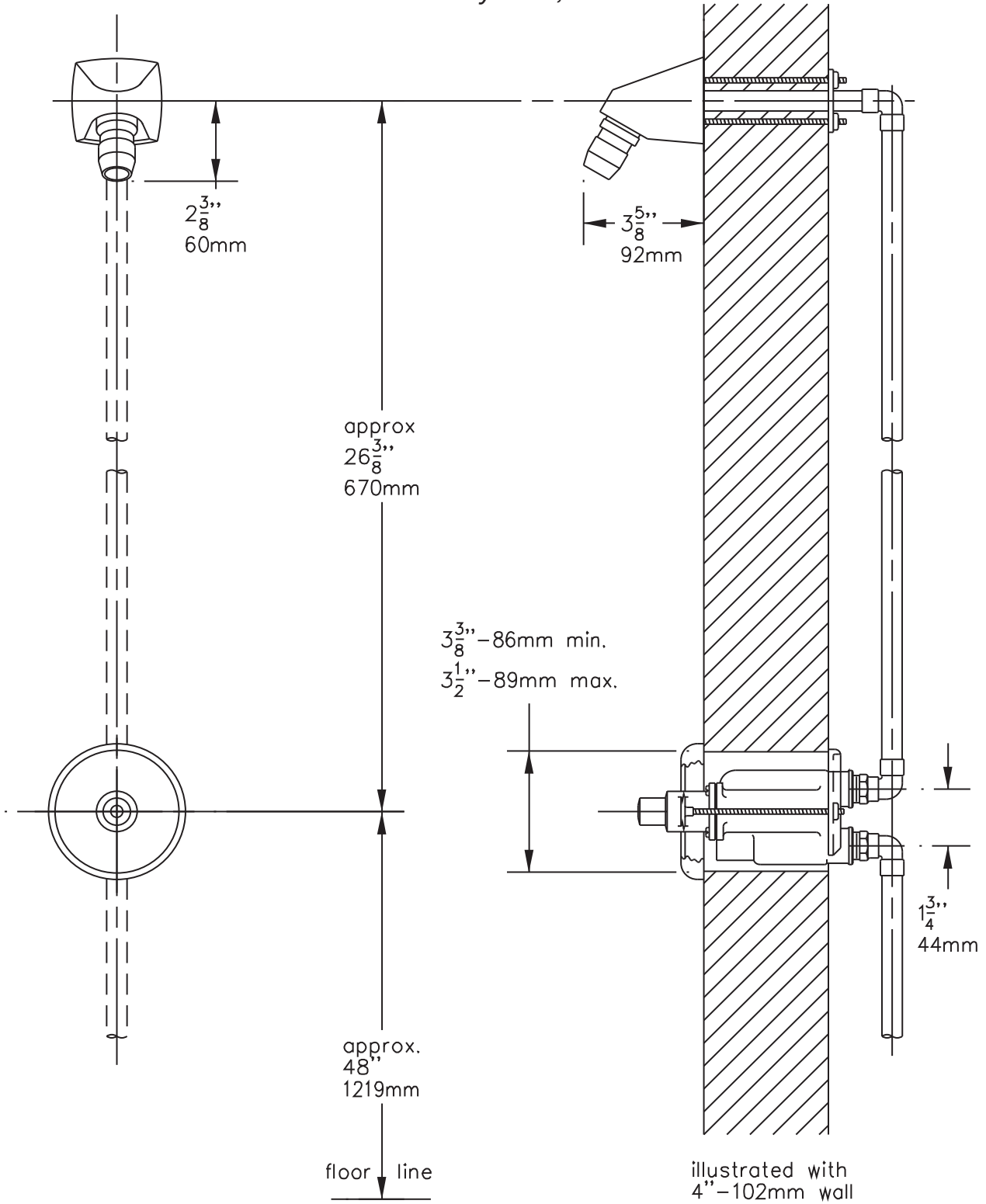
Standards / Certifications

ASME A112.18.1-2005/CSA B125.1-05

Warranty

- **Limited Lifetime** - to the original end purchaser in residential / consumer installations.
- **5 years** - for commercial installations

Dimensions Showeroff Shower System, 3-310R



Dimensions subject to change without notice.

Symmons Industries, Inc. ■ 31 Brooks Drive ■ Braintree, MA 02184
 (800) 796-6667, (781) 848-2250 ■ Fax (800) 961-9621, (781) 664-1300
 Website: www.symmons.com ■ Email: customerservice@symmons.com

©2008, 2009 Symmons Industries, Inc. Printed in U.S.A. ■ 043009

