

VALVE TRIM

MODEL: 3500WD-TRM

INSTALLATION GUIDE

FEATURE HIGHLIGHTS

Valve trim made from metal construction, plated in standard polished chrome finish.

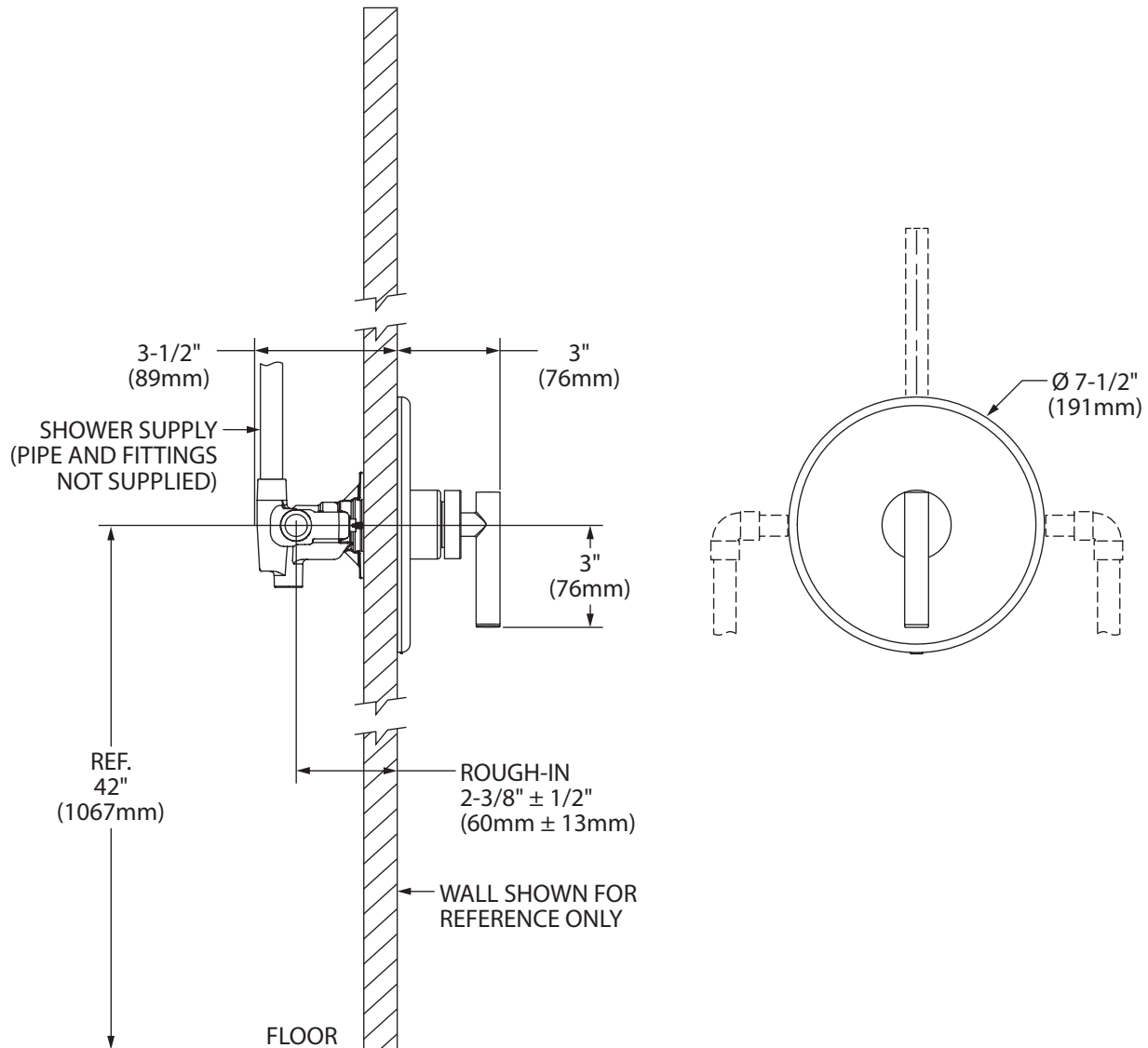
WARRANTY

Limited Lifetime - to the original end purchaser in consumer/residential installations.

5 Years - for industrial/commercial installations.

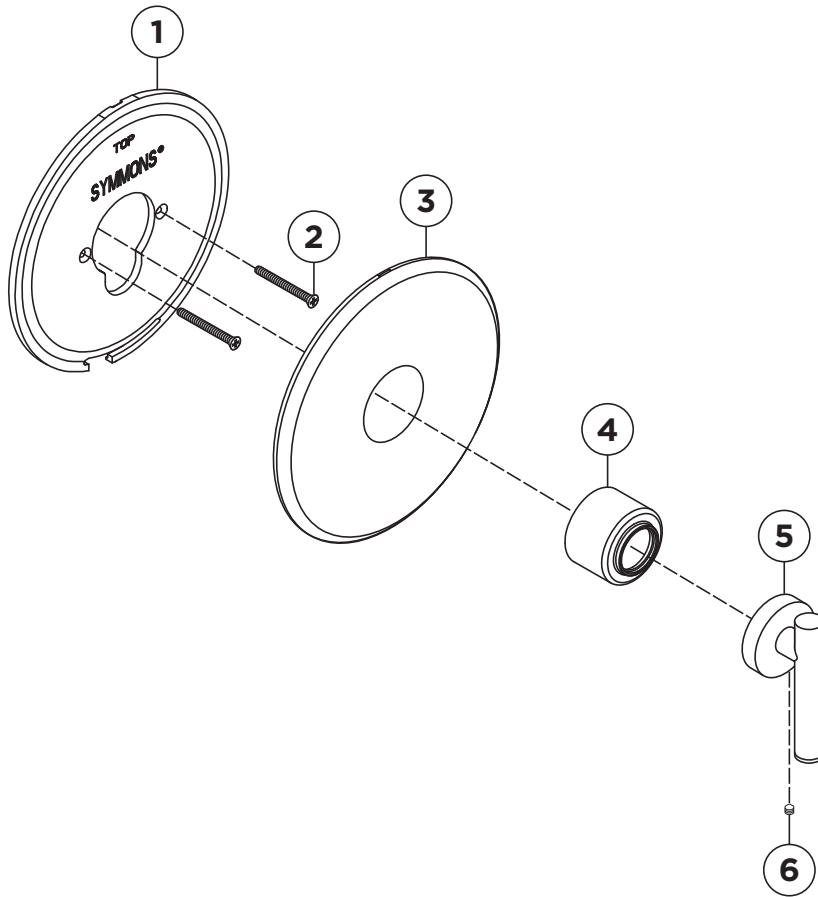
Refer to symmons.com/warranty for complete warranty information.

DIMENSIONS



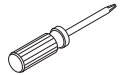

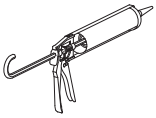


Note: Dimensions subject to change without notice.

INSTALLATION/PARTS BREAKDOWN



Item	Description	Part Number
1	Mounting Plate	T-273-NS- WD-K002
2	Mounting Screws	
3	Escutcheon	
4	Dome Cover	TW-210-PL
5	Handle	T-242A
6	Set Screw	
6	Set Screw	S2H-8D

Tools Required	
Adjustable Wrench	
Allen Wrench: Handle (2mm)	
Phillips Head Screwdriver	
Plumber Tape	
Silicone	

Notes:

- 1) Apply a bead of silicone around the perimeter of all shower trim installed flush to the finished wall.
- 2) Apply plumber tape to threaded connections as necessary.

⚠ WARNING: This product can expose you to chemicals including lead, which is known to the state of California to cause cancer, birth defects, or other reproductive harm. For more information, go to www.P65Warnings.ca.gov.