




# Location:



## 5303-TRM, 5303TRMTC Hand Shower Trim Specification Submittal

| Feature Highlights   | Options/Modifications  |
|--|--|
| <ul style="list-style-type: none"> <li>Museo Hand Shower Trim</li> <li>Requires Temptrol® Pressure Balancing Shower Valve</li> <li>Metal lever handle</li> <li>Cradle for hand shower wand</li> <li>Dual checks for backflow protection</li> <li>60" flexible metal hose</li> <li>2 mode hand shower wand</li> <li>2.0 gpm (7.6 L/min) flow restrictor</li> <li>Tub spout not included</li> <li>Components shall be metal and nonmetallic construction, plated in standard Polished Chrome finish</li> <li>Available with TA-10 flow control spindle and T-12A cap assembly for Temptrol valve bodies installed with Test Cap (order p/n 5303TRMTC)</li> <li>For optional in-line vacuum breaker order p/n EF-109</li> </ul> | <ul style="list-style-type: none"> <li><input type="checkbox"/> <b>-1.5</b>  <b>1.5 gpm (5.7 L/min) flow restrictor</b></li> <li><input type="checkbox"/> <b>-L2</b> <b>Less hand shower wand</b></li> <li><input type="checkbox"/> <b>-BLK</b> <b>Polished Graphite</b></li> </ul> <p><b>Note:</b> Append appropriate -suffix to model number.</p> <hr/> <h3>Compliance</h3> <ul style="list-style-type: none"> <li>ASME A112.18.1/CSA B125.1</li> </ul>  |
| Model Numbers  | Warranty   |
| <ul style="list-style-type: none"> <li><input type="checkbox"/> <b>5303-TRM</b><br/>Hand Shower Trim, Temptrol Pressure Balancing Shower Valve ordered separately</li> <li><input type="checkbox"/> <b>5303TRMTC</b><br/>Hand Shower Trim with TA-10 flow control spindle and T-12A cap assembly, must order Temptrol valve with Test Cap</li> </ul>   | <p><b>Limited Lifetime</b> - to the original end purchaser in consumer/residential installations.</p> <p><b>10 Years</b> - for commercial/industrial installations. Refer to <a href="http://www.symmons.com/warranty">www.symmons.com/warranty</a> for complete warranty information.</p>   |

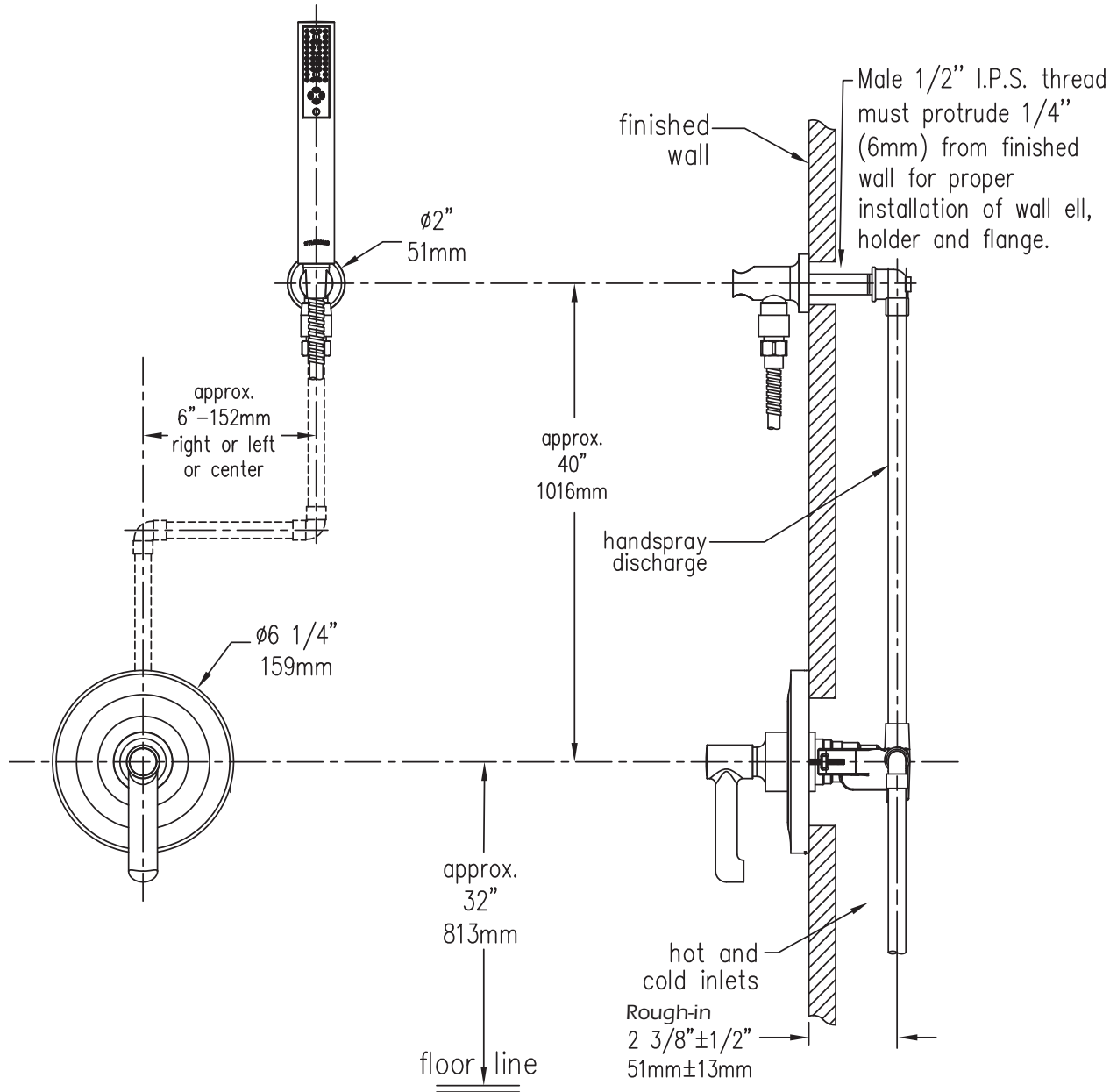
## Architectural/ Engineering Specification

Symmons \_\_\_\_\_ With Museo Hand Shower Trim, requires Temptrol® pressure balancing shower valve, metal lever handle, Cradle for hand shower wand, Dual checks for backflow protection, 60" flexible metal hose, 2 mode hand shower wand, 2.0 gpm (7.6 L/min) flow restrictor, Tub spout not included, components shall be metal and nonmetallic construction, plated in standard Polished Chrome finish, available with TA-10 flow control spindle and T-12A cap assembly for Temptrol valve bodies installed with Test Cap (order p/n 5401TRMTC), For optional in-line vacuum breaker order p/n EF-109. 10 Year commercial Warranty. ASME A112.18.1/CSA B125.1, Complaint. Available options include "1.5 - 1.5 gpm (5.7 L/min) flow restrictor", "L2 - Less hand shower wand", "BLK - polished Graphite".



5303-TRM, 5303TRMTC

Dimensions



Notes:

- 1) Valve body and piping not included and shown as reference only.
- 2) Plaster shield (p/n T-176) for dry wall, plaster or other type walls 1/2" or greater.
- 3) All dimensions measured from nominal rough-in.
- 4) Dimensions subject to change without notice.