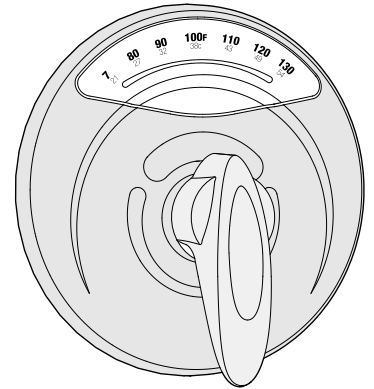


Location:



Tub-Shower Valve System 4-5000VT Specification Submittal



Feature Highlights

- Symmons Visu-Temp® pressure-balancing mixing valve with Clear-vue™ thermometer and adjustable stop screw to limit handle turn
- Polished chrome finish (standard)

Model Numbers

- 4-5000VT.....Tub-Shower Valve System with Symmons Visu-Temp® pressure balancing mixing valve

Finish Options / Modifications

Append appropriate -suffix to model number.

- STN Satin nickel
 - Polished chrome (standard finish)

Options / Modifications

Append appropriate -suffix to model number.

- X Valve includes integral service stops to allow water shut-off for service
- X-CHKS Integral check stops: Used where a positive shut-off device is used down stream of mixing valve
- X-3/4 3/4 inch valve to increase water flow approximately 20%

Warranty

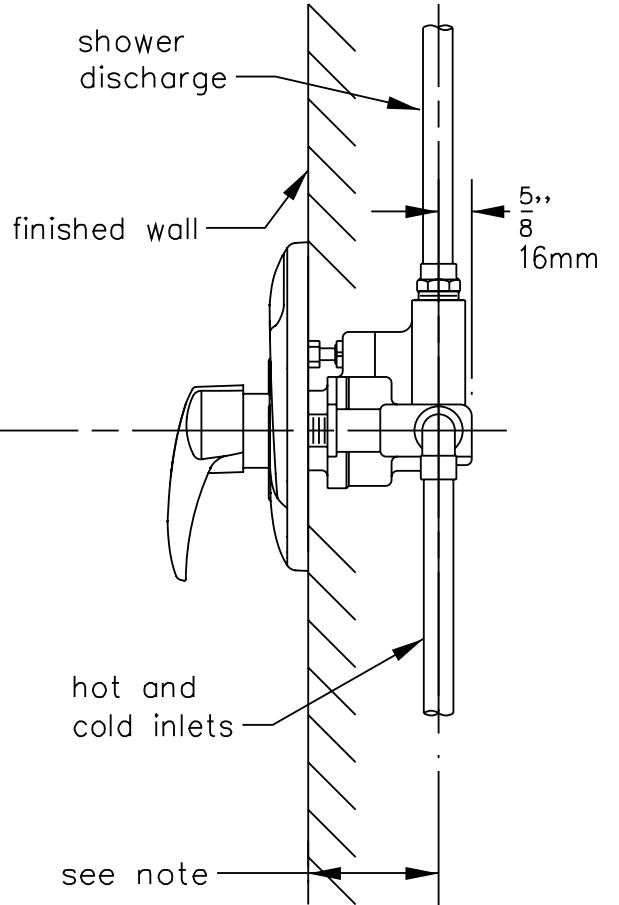
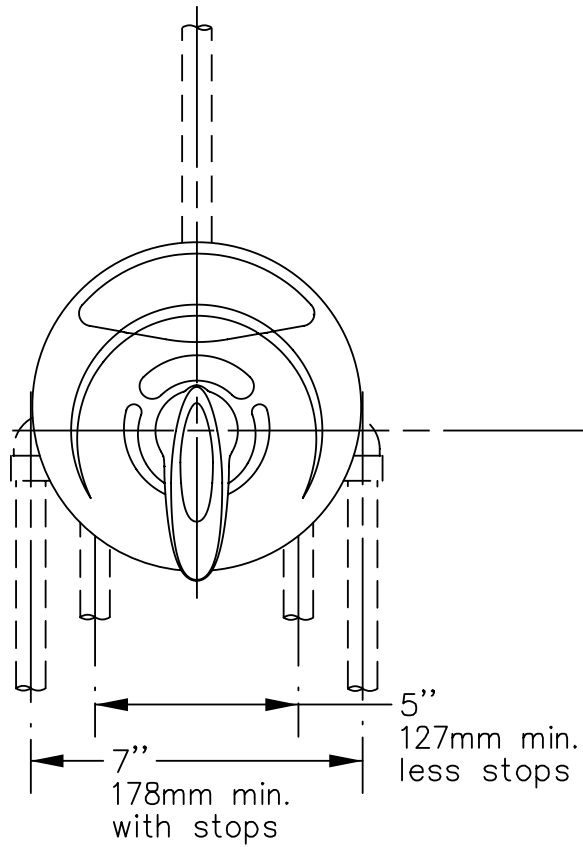
Limited Lifetime - to the original end purchaser in consumer/residential installations.

10 Years - for commercial/industrial installations. Refer to www.symmons.com/warranty for complete warranty information.



Standards / Certifications

ASME A112.18.1/CSA B125.1



NOTE: 2-1/2" (64mm) min.
 3" (76mm) max.
 On 2"x4" construction, use
 2-1/2" (64mm) min. rough-in.