




Location:



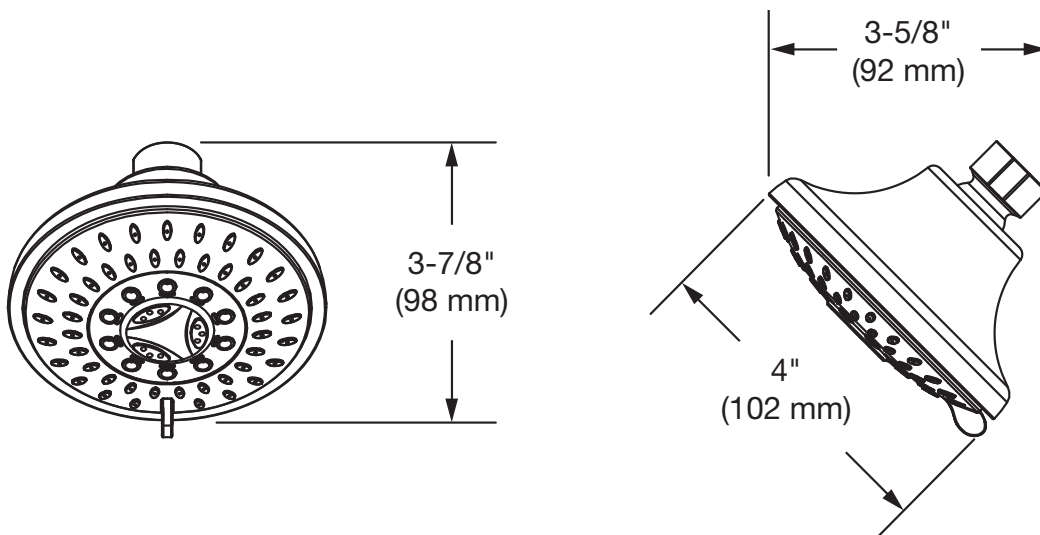
552SH
Showerhead
Specification Submittal

Model Numbers <input type="checkbox"/> 552SH Showerhead	Feature Highlights <ul style="list-style-type: none"> • 4 inch showerhead • Five mode • Standard flow rate, 2.0 gpm (7.6 L/min) • Optional lower flow rate restrictor available • Polished chrome finish (standard)
Options/ Modifications <input type="checkbox"/> 1.5 1.5 gpm (5.7 L/min) flow restrictor <input type="checkbox"/> 1.75 1.75 gpm (6.6 L/min) flow restrictor <input type="checkbox"/> STN Satin Nickel finish <input type="checkbox"/> SBZ Seasoned Bronze finish Note: Append appropriate -suffix to model number.	Warranty Limited Lifetime - to the original end purchaser in consumer/residential installations. 10 Years - for commercial/industrial installations. Refer to www.symmons.com/warranty for complete warranty information.
Compliance - ASME A112.18.1/CSA B125.1 -WaterSense 1.5 gpm (5.7 L/min) 1.75 gpm (6.6 L/min) 2.0 gpm (7.6 L/min)	  

Architectural/ Engineering Specification

Symmons Elm Showerhead _____ Includes 4 inch showerhead, Five mode, Standard flow rate, 2.0 gpm (7.6 L/min), Optional lower flow rate restrictor available, Polished chrome finish (standard). 10 Year Commercial Warranty. ASME A112.18.1/CSA B125.1, WaterSense 1.5 gpm (5.7 L/min), 1.75 gpm (6.6 L/min), 2.0 gpm (7.6 L/min) compliant. Available options: "1.5 - 1.5 gpm (5.7 L/min) flow restrictor", "1.75 - 1.75 gpm (6.6 L/min) flow restrictor", "STN - Satin Nickel finish", "SBZ - Seasoned Bronze finish".

Dimensions



Note: Dimensions subject to change without notice