




Location:



S-4502-TRM, S4502TRMTC

Tub/Shower Trim

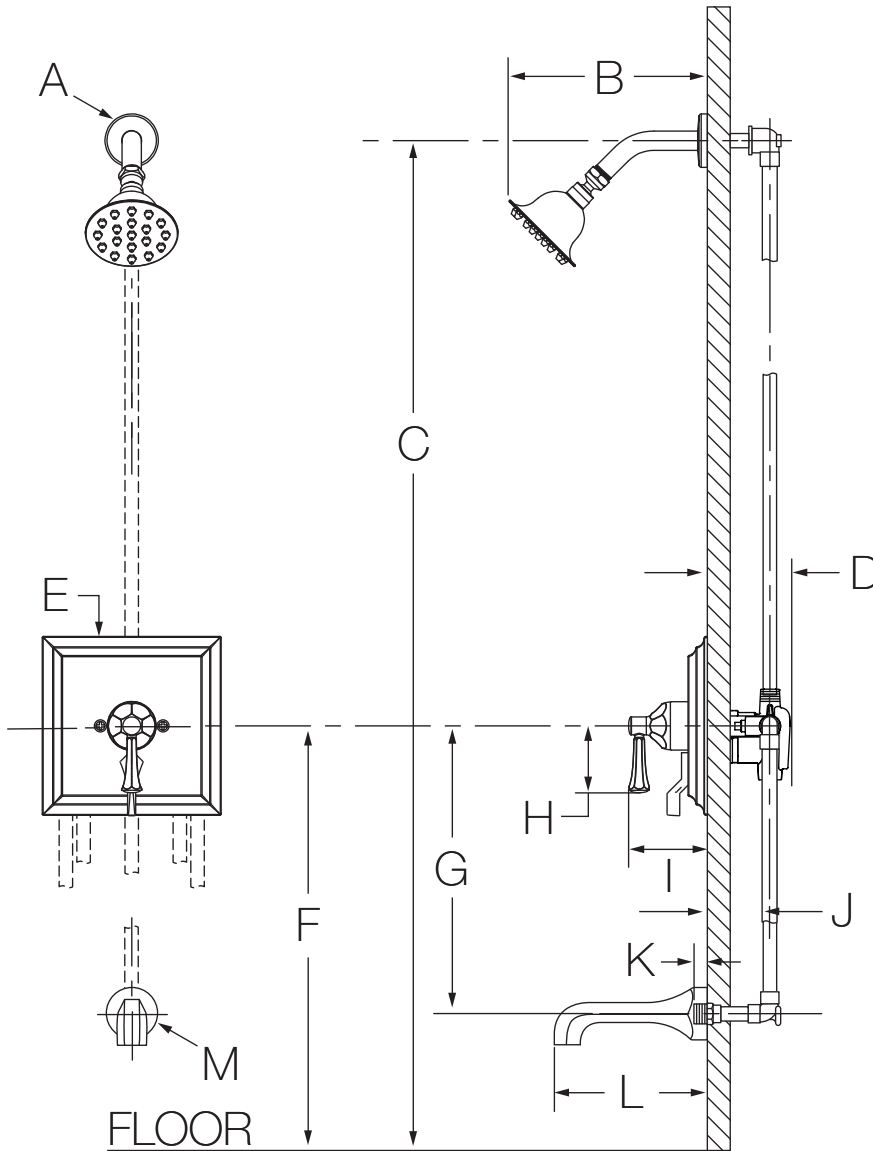
Specification Submittal

Model Numbers	Feature Highlights
<p><input type="checkbox"/> S-4502-TRM Tub/Shower Trim with integral diverter control, Temptrol Pressure Balancing Tub/Shower Valve ordered separately</p> <p><input type="checkbox"/> S4502TRMTC Tub/Shower Trim with integral diverter control, TA-10 flow control spindle and T-12A cap assembly, must order Temptrol valve with Test Cap</p>	<ul style="list-style-type: none"> • Canterbury Tub/Shower Trim • Requires Temptrol® Pressure Balancing Tub/Shower Valve • Integral diverter control • Metal lever handle • 7-1/4" non-diverter tub spout • 1 mode showerhead • 2.0 gpm (7.6 L/min) flow restrictor • Components shall be metal and nonmetallic construction, plated in standard Polished Chrome finish • Available with TA-10 flow control spindle and T-12A cap assembly for Temptrol valve bodies installed with Test Cap (order p/n S4502TRMTC)
<p>Options/ Modifications</p> <p><input type="checkbox"/> 1.5  1.5 gpm (5.7 L/min) flow restrictor</p> <p><input type="checkbox"/> STN Satin Nickel finish</p> <p><input type="checkbox"/> L1 Less showerhead</p>	
<p>Note: Append appropriate -suffix to model number.</p>	<p>Warranty</p>
<p>Compliance</p> <p>- ASME A112.18.1/CSA B125.1</p> 	<p>Limited Lifetime - to the original end purchaser in consumer/residential installations.</p> <p>10 Years - for commercial/industrial installations. Refer to www.symmons.com/warranty for complete warranty information.</p> 

Architectural/ Engineering Specification

Symmons Canterbury Tub and Shower Trim _____ Includes Canterbury Tub/Shower Trim, Requires Temptrol® Pressure Balancing Tub/Shower Valve, Integral diverter control, Metal lever handle, 7-1/4" non-diverter tub spout, 1 mode showerhead, 2.0 gpm (7.6 L/min) flow restrictor, Components shall be metal and nonmetallic construction, plated in standard Polished Chrome finish, Available with TA-10 flow control spindle and T-12A cap assembly for Temptrol valve bodies installed with Test Cap (order p/n S4502TRMTC). 10 Year Commercial Warranty. ASME A112.18.1/CSA B125.1 compliant. Available options: "1.5 - 1.5 gpm (5.7 L/min) flow restrictor", "STN - Satin Nickel finish", "L1 - Less showerhead".

Dimensions



Measurements	
A	Ø 2-1/4", 57 mm
B	8-5/8", 219 mm
C	Ref. 77", 1956 mm
D	3-1/2", 89 mm
E	Sq. 7-1/2", 191 mm
F	Ref. 32", 813 mm
G	Ref. 12", 305 mm
H	3" 76 mm
I	3" 76 mm
J	Rough-in 2-3/8" ± 1/2", 60 mm ± 13 mm
K	Male 1/2-14 NPT fitting must protrude 1/2" (13 mm) from finished wall
L	7-1/4", 184 mm
M	Ø 2-5/8", 67 mm

Notes:

- 1) Valve body and piping not included and shown as reference only.
- 2) Plaster shield (p/n T-176) for dry wall, plaster or other type walls 1/2" or greater.
- 3) All dimensions measured from nominal rough-in (see J as reference).
- 4) Dimensions subject to change without notice.