

# Location:







**SYMMONS** Identity<sup>®</sup>



S-6703-TRM, S6703TRMTC

Hand Shower Trim

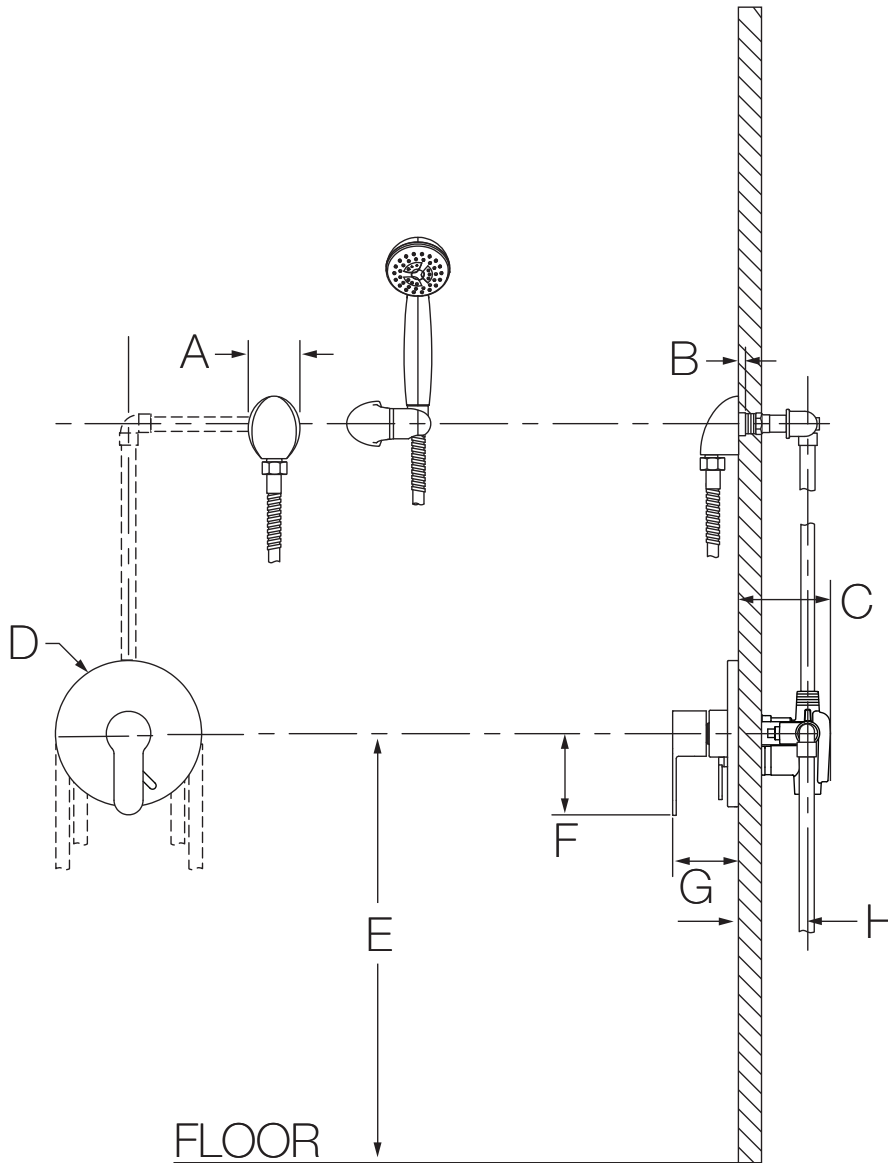
**Specification Submittal**

Feature Highlights	Options/Modifications
<ul style="list-style-type: none"> <li>Identity Hand Shower Trim</li> <li>Requires Temptrol® Pressure Balancing Shower Valve</li> <li>Integral volume control</li> <li>Metal lever handle</li> <li>Cradle for hand shower wand</li> <li>60" flexible metal hose</li> <li>1 mode hand shower</li> <li>Dual checks for backflow protection</li> <li>2.0 gpm (7.6 L/min) flow restrictor</li> <li>Components shall be metal and nonmetallic construction, plated in standard Polished Chrome finish</li> <li>Available with TA-10 flow control spindle and T-12A cap assembly for Temptrol valve bodies installed with Test Cap (order p/n S6703TRMTC)</li> <li>For optional in-line vacuum breaker order p/n EF-109</li> </ul>	<ul style="list-style-type: none"> <li><input type="checkbox"/> <b>1.5</b>  1.5 gpm (5.7 L/min) flow restrictor</li> <li><input type="checkbox"/> <b>L2</b> Less hand shower wand</li> <li><input type="checkbox"/> <b>L7</b> Less handle</li> <li><input type="checkbox"/> <b>STN</b> Satin Nickel finish</li> </ul> <p><b>Note:</b> Append appropriate -suffix to model number.</p>
<b>Model Numbers</b>	<p><b>Compliance</b></p> <ul style="list-style-type: none"> <li>ASME A112.18.1/CSA B125.1</li> <li>WaterSense @ 1.5 gpm and 2.0 gpm (does not apply to L3 modification)</li> </ul>  
<ul style="list-style-type: none"> <li><input type="checkbox"/> <b>S-6703-TRM</b> Hand Shower Trim with integral volume control, Temptrol Pressure Balancing Shower Valve ordered separately</li> <li><input type="checkbox"/> <b>S6703TRMTC</b> Hand Shower Trim with integral volume control, TA-10 flow control spindle and T-12A cap assembly, must order Temptrol valve with Test Cap</li> </ul>	<p><b>Warranty</b></p> <p><b>Limited Lifetime</b> - to the original end purchaser in consumer/residential installations.</p> <p><b>10 Years</b> - for commercial/industrial installations. Refer to <a href="http://www.symmons.com/warranty">www.symmons.com/warranty</a> for complete warranty information.</p> 

## Architectural/ Engineering Specification

Symmons Identity \_\_\_\_\_ With Identity Hand Shower Trim, Requires Temptrol® Pressure Balancing Shower Valve, Metal level handle, Cradle for hand shower wand, 60" flexible metal hose, 1 mode hand shower, 1 mode hand shower, Dual checks for backflow protection, 2.0 gpm (7.6 L/min) flow restrictor, Components shall be metal and nonmetallic construction, plated in standard Polished Chrome finish, Available with TA-10 flow control spindle and T-12A cap assembly for Temptrol valve bodies installed with Test Cap, For optional in-line vacuum breaker order p/n EF-109. 10 Year commercial Warranty. ASME A112.18.1/CSA B125.1, WaterSense 1.5 gpm and 2.0 gpm complaint. Available options include: "1.5 - 1.5 gpm (5.7 L/min) flow restrictor", "L2 - Less hand shower wand", "L7 - Less handle", "STN - Satin nickel finish".

## Dimensions



Measurements	
A	2-1/8", 54 mm
B	Male 1/2" IPS fitting must be recessed 1/4" (6 mm) from finished wall
C	3-1/2", 89 mm
D	Ø 6-3/8", 162 mm
E	Ref. 42", 1067 mm
F	3-1/2", 89 mm
G	2-7/8", 73 mm
H	Rough-in 2-3/8" ± 1/2", 60 mm ± 13 mm

### Notes:

- 1) Valve body and piping not included and shown as reference only.
- 2) Plaster shield (p/n T-176) for dry wall, plaster or other type walls 1/2" or greater.
- 3) All dimensions measured from nominal rough-in (see H as reference).
- 4) Dimensions subject to change without notice.