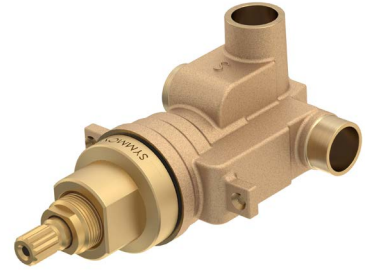


Location:

# SYMMONS® Temptrol®

## Shower Mixing Valve 46-1-BODY Specification Submittal



### Model Numbers

- 46-1-BODY..... 3-Port Temptrol shower mixing valve

### Modifications

- IPS 1/2" female IPS connections
- REV Reverse coring, hot on right, cold on left, for back to back installations
- CHKS Integral check stops - for use in installations where a positive shut-off device is used downstream of valve
- X Integral service stops - allows water shutoff at valve for service. Recommended for use on all multiple or commercial installations

### Feature Highlights

- Symmons Temptrol 3-port pressure balancing mixing valve with adjustable stop screw to limit handle turn
- Input and output ports, 1/2 inch sweat

### Standards / Certifications

ASME A112.18.1/CSA B125.1

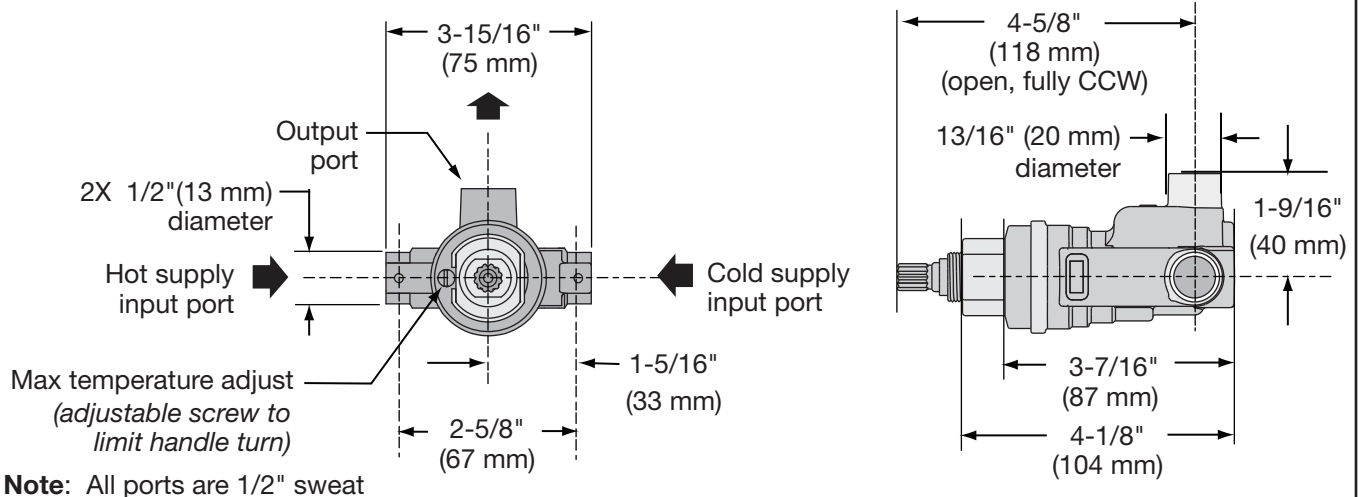
ASSE 1016



### Warranty

- Limited Lifetime - to the original end purchaser in residential/consumer installations.
- 5 years - for commercial installations

### Dimensions *Temptrol Shower Mixing Valve, 3-port valve*



Symmons Industries, Inc. ■ 31 Brooks Drive ■ Braintree, MA 02184  
Phone: (800) 796-6667 ■ Fax: (800) 961-9621  
Website: symmons.com ■ Email: gethelp@symmons.com

Copyright © 2017 Symmons Industries, Inc. ■ ZV-1728 REV 0 ■ 042817

**SYMMONS®**  
the smart choice™