

# Location:



4203-TRM, 4203TRMTC  
Hand Shower Trim  
**Specification Submittal**



## Feature Highlights

- Oxford Hand Shower Trim
- Requires Temptrol® Pressure Balancing Shower Valve
- Metal lever handle
- Cradle for hand shower wand
- Dual checks for backflow protection
- 60" flexible metal hose
- 1 mode hand shower wand
- Standard flow rate is 2.0 gpm (7.6 L/min)
- Tub spout not included
- Components shall be metal and nonmetallic construction, plated in standard Polished Chrome finish
- Available with TA-10 flow control spindle and T-12A cap assembly for Temptrol valve bodies installed with Test Cap (order p/n 4203TRMTC)
- For optional in-line vacuum breaker order p/n EF-109

## Options/Modifications

- 1.5**  **1.5 gpm (5.7 L/min) flow restrictor**
- STN** **Satin Nickel finish**

**Note:** Append appropriate -suffix to model number.

## Model Numbers

- 4203-TRM**  
Hand Shower Trim, Temptrol Pressure Balancing Shower Valve ordered separately
- 4203TRMTC**  
Hand Shower Trim with TA-10 flow control spindle and T-12A cap assembly, must order Temptrol valve with Test Cap

## Warranty

**Limited Lifetime** - to the original end purchaser in consumer/residential installations.  
**10 Years** - for commercial/industrial installations. Refer to [www.symmons.com/warranty](http://www.symmons.com/warranty) for complete warranty information.



## Compliance

- ASME A112.18.1/CSA B125.1

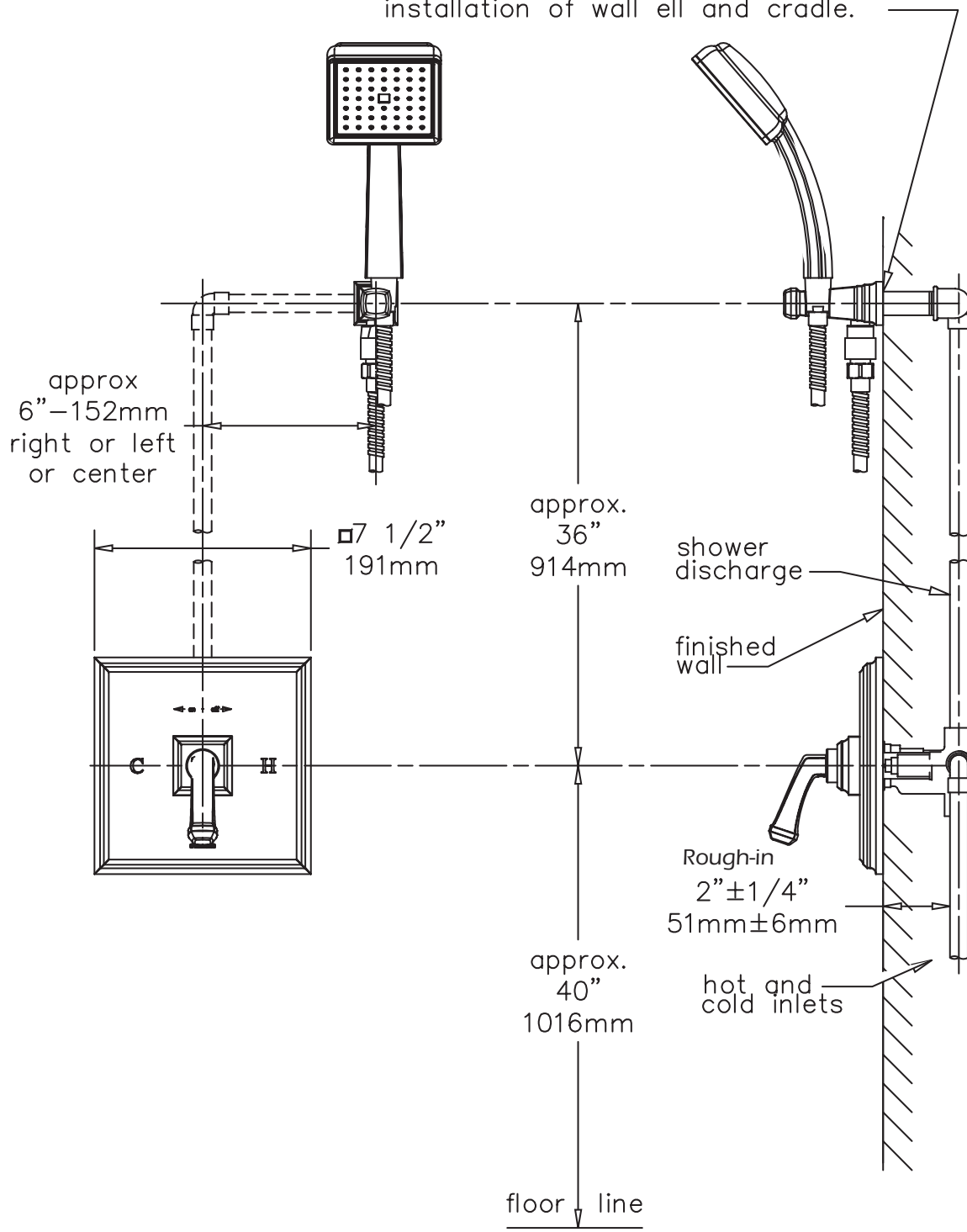


## Architectural/Engineering Specification

Symmons Oxford Hand Shower Trim \_\_\_\_\_ Includes Oxford Hand Shower Trim, Requires Temptrol® Pressure Balancing Shower Valve, Metal lever handle, Cradle for hand shower wand, Dual checks for backflow protection, 60" flexible metal hose, 1 mode hand shower wand, Standard flow rate is 2.0 gpm (7.6 L/min), Tub spout not included, Components shall be metal and nonmetallic construction, plated in standard Polished Chrome finish, Available with TA-10 flow control spindle and T-12A cap assembly for Temptrol valve bodies installed with Test Cap (order p/n 4203TRMTC), For optional in-line vacuum breaker order p/n EF-109. 10 Year Commercial Warranty. ASME A112.18.1/CSA B125.1 compliant. Available options: "1.5 - 1.5 gpm (5.7 L/min) flow restrictor", "STN - Satin Nickel finish".

## Dimensions

Male 1/2" I.P.S. thread must protrude 1/4" (6mm) from finished wall for proper installation of wall ell and cradle.



### Notes:

- 1) Valve body and piping not included and shown as reference only.
- 2) Plaster shield (p/n T-176) for dry wall, plaster or other type walls 1/2" or greater.
- 3) All dimensions measured from nominal rough-in.
- 4) Dimensions subject to change without notice.