

Location:




S-6604-TRM, S6604TRMTC Tub/Hand Shower Trim Specification Submittal



Feature Highlights

- Unity Tub/Hand Shower Trim
- Requires Temptrol® Pressure Balancing Tub/Shower Valve
- Integral diverter control
- Metal lever handle
- 5-1/4" non-diverter tub spout
- Cradle for hand shower wand
- 60" flexible metal hose
- 1 mode hand shower
- Dual checks for backflow protection
- 2.0 gpm (7.6 L/min) flow restrictor
- Components shall be metal and nonmetallic construction, plated in standard Polished Chrome finish
- Available with TA-10 flow control spindle and T-12A cap assembly for Temptrol valve bodies installed with Test Cap (order p/n S6604TRMTC)
- For optional in-line vacuum breaker order p/n EF-109

Options/Modifications

- 1.5**  1.5 gpm (5.7 L/min) flow restrictor
- L2** Less hand shower wand
- L5** Less hand shower system (less cradle, hose, wand and elbow)
- L6** Less tub spout
- L7** Less handle
- STN** Satin Nickel finish

Note: Append appropriate -suffix to model number.

Compliance

- ASME A112.18.1/CSA B125.1
- WaterSense 1.5 gpm (5.7 L/min)
2.0 gpm (7.6 L/min)



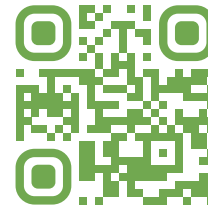
Model Numbers

- S-6604-TRM**
Tub/Hand Shower Trim with integral diverter control, Temptrol Pressure Balancing Tub/Shower Valve ordered separately
- S6604TRMTC**
Tub/Hand Shower Trim with integral diverter control, TA-10 flow control spindle and T-12A cap assembly, must order Temptrol valve with Test Cap

Warranty

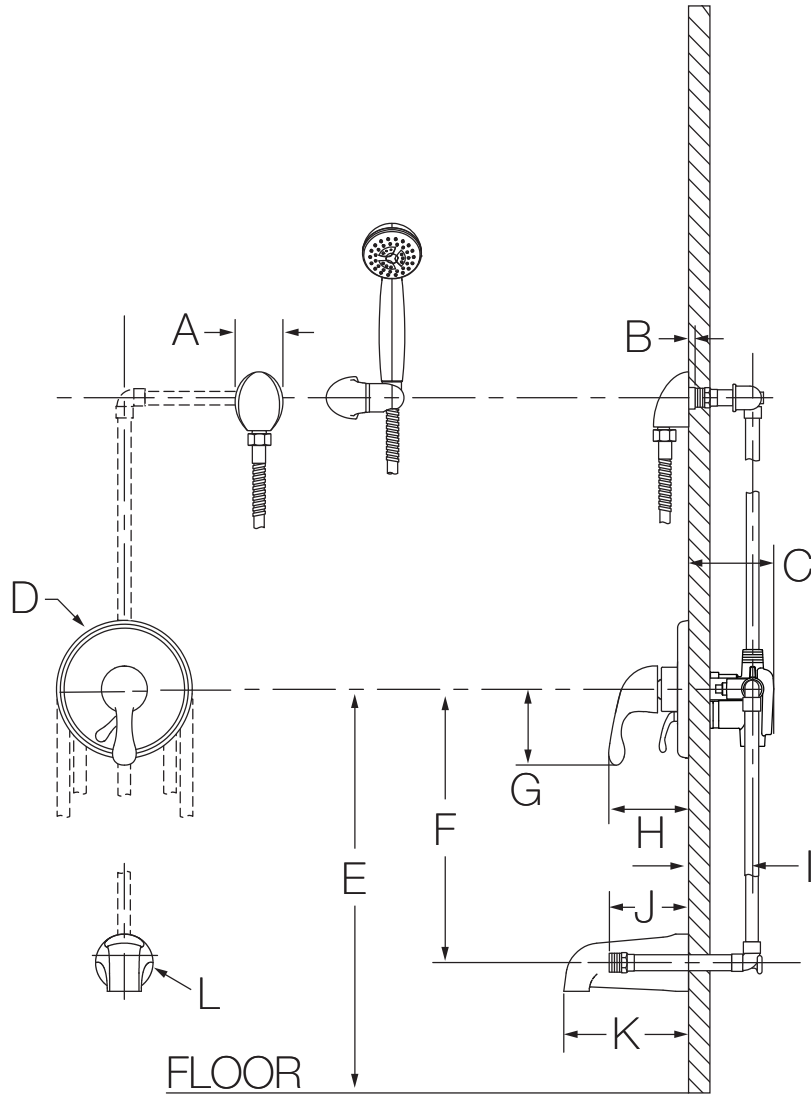
Limited Lifetime - to the original end purchaser in consumer/residential installations.

10 Years - for commercial/industrial installations. Refer to www.symmons.com/warranty for complete warranty information.



Architectural/ Engineering Specification

Symmons _____ With Unity Tub/Hand Shower Trim, Requires Temptrol® Pressure Balancing Tub/Shower Valve, Integral diverter control, Metal lever handle, 5-1/4" non-diverter tub spout, Cradle for hand shower wand, 60" flexible metal hose, 1 mode hand shower, Dual checks for backflow protection, 2.0 gpm (7.6 L/min) flow restrictor, components shall be metal and nonmetallic construction, plated in standard Polished Chrome finish, Available with TA-10 flow control spindle and T-12A cap assembly for Temptrol valve bodies installed with Test Cap (order p/n S6604TRMTC), For optional in-line vacuum breaker order p/n EF-109. 10 Year commercial Warranty. ASME A112.18.1/CSA B125.1, WaterSense 1.5 gpm (5.7 L/min), 2.0 gpm (7.6 L/min) Complaint. Available options include "1.5 - 1.5 gpm (5.7 L/min) flow restrictor", "L2 - Less hand shower wand", "L5 - Less hand shower system", "L6 - Less tub spout", "L7 - Less handle", "STN - Satin nickel finish".

Dimensions


Measurements	
A	2-1/8", 54 mm
B	Male 1/2" IPS fitting must be recessed 1/4" (6 mm) from finished wall
C	3-1/2", 89 mm
D	Ø 6-3/8", 162 mm
E	Ref. 32", 813 mm
F	Ref. 12", 305 mm
G	3-1/2", 89 mm
H	3-3/4", 95 mm
I	Rough-in 2-3/8" ± 1/2", 60 mm ± 13 mm
J	Male 1/2-14 NPT fitting must protrude 4" (102 mm) from finished wall
K	5-1/4", 133 mm
L	Ø 2-1/2", 64 mm

Notes:

- 1) Valve body and piping not included and shown as reference only.
- 2) Plaster shield (p/n T-176) for dry wall, plaster or other type walls 1/2" or greater.
- 3) All dimensions measured from nominal rough-in (see I as reference).
- 4) Dimensions subject to change without notice.