




Location:



S-5304-TRM, S5304TRMTC Tub/Hand Shower Trim Specification Submittal

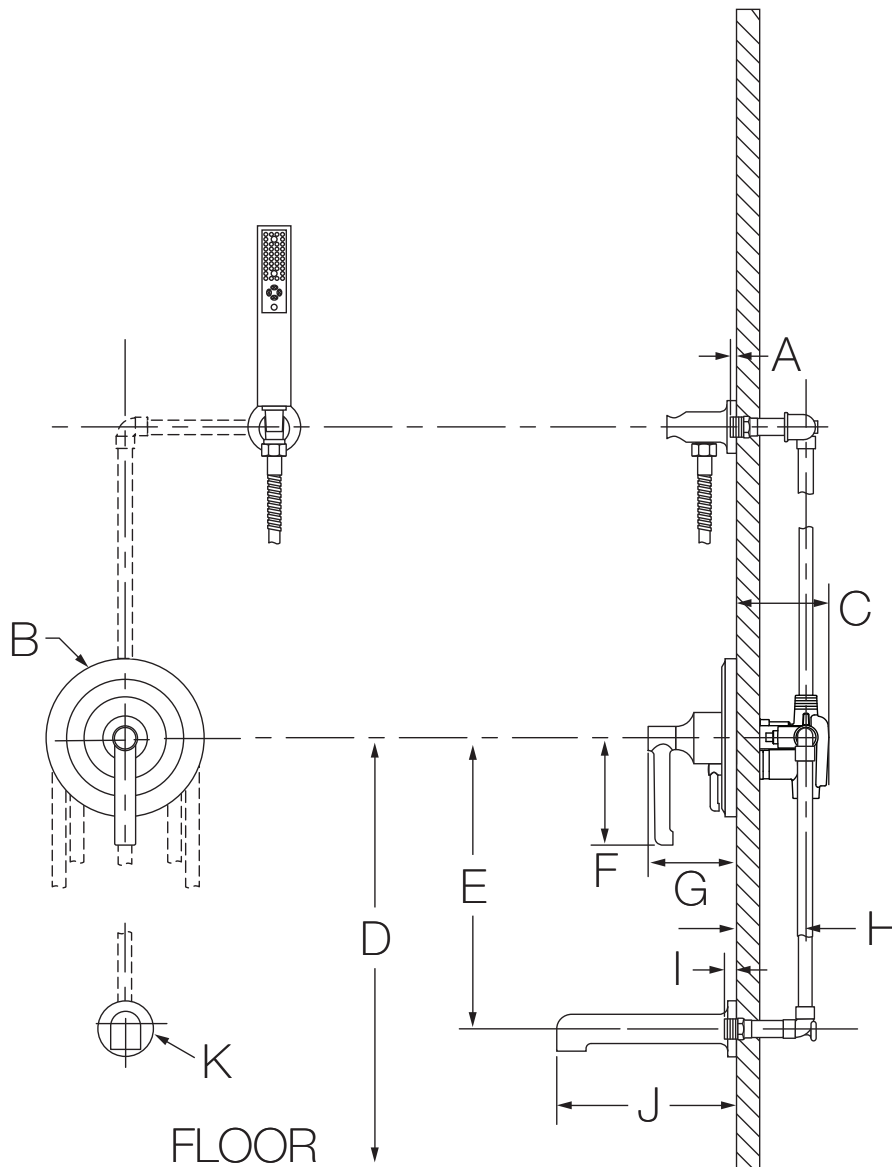


Feature Highlights	Options/Modifications
<ul style="list-style-type: none"> • Museo Tub/Hand Shower Trim • Requires Temptrol® Pressure Balancing Tub/Shower Valve • Integral diverter control • Metal lever handle • 7-1/16" non-diverter tub spout • Cradle for hand shower wand • 60" flexible metal hose • 2 mode hand shower • Dual checks for backflow protection • 2.0 gpm (7.6 L/min) flow restrictor • Components shall be metal and nonmetallic construction, plated in standard Polished Chrome finish • Available with TA-10 flow control spindle and T-12A cap assembly for Temptrol valve bodies installed with Test Cap (order p/n S5304TRMTC) • For optional in-line vacuum breaker order p/n EF-109 	<ul style="list-style-type: none"> <input type="checkbox"/> -1.5  1.5 gpm (5.7 L/min) flow restrictor <input type="checkbox"/> -L2 Less hand shower wand <input type="checkbox"/> -BLK Polished Graphite <p>Note: Append appropriate -suffix to model number.</p>
	<h3>Compliance</h3> <ul style="list-style-type: none"> • ASME A112.18.1/CSA B125.1 
<h3>Model Numbers</h3> <ul style="list-style-type: none"> <input type="checkbox"/> S-5304-TRM Tub/Hand Shower Trim with integral diverter control, Temptrol Pressure Balancing Tub/Shower Valve ordered separately <input type="checkbox"/> S5304TRMTC Tub/Hand Shower Trim with integral diverter control, TA-10 flow control spindle and T-12A cap assembly, must order Temptrol valve with Test Cap 	<h3>Warranty</h3> <p>Limited Lifetime - to the original end purchaser in consumer/residential installations.</p> <p>10 Years - for commercial/industrial installations. Refer to www.symmons.com/warranty for complete warranty information.</p> 

Architectural/ Engineering Specification

Symmons _____ With Museo Tub/Hand Shower Trim, requires Temptrol® pressure balancing shower valve, Integral diverter control, metal lever handle, 7-1/16" non-diverter tub spout, Cradle for hand shower wand, 60" flexible metal hose, 2 mode hand shower, Dual checks for backflow protection, 2.0 gpm (7.6 L/min) flow restrictor, components shall be metal and nonmetallic construction, plated in standard Polished Chrome finish, available with TA-10 flow control spindle and T-12A cap assembly for Temptrol valve bodies installed with Test Cap (order p/n 5401TRMTC), For optional in-line vacuum breaker order p/n EF-109. 10 Year commercial Warranty. ASME A112.18.1/CSA B125.1, Complaint. Available options include "1.5 - 1.5 gpm (5.7 L/min) flow restrictor", "L2 - Less hand shower wand", "BLK - Polished Graphite".

Dimensions



Measurements	
A	Male 1/2" IPS fitting must protrude 3/8" (10 mm) from finished wall
B	Ø 6-1/4", 159 mm
C	3-1/2", 89 mm
D	Ref. 32", 813 mm
E	Ref. 12", 305 mm
F	3-1/4", 83 mm
G	3-3/4", 95 mm
H	Rough-in 2-3/8" ± 1/2", 60 mm ± 13 mm
I	Male 1/2-14 NPT fitting must protrude 1/2" (13 mm) from finished wall
J	7-1/16", 179 mm
K	Ø 2-1/4" 57 mm

Notes:

- 1) Valve body and piping not included and shown as reference only.
- 2) Plaster shield (p/n T-176) for dry wall, plaster or other type walls 1/2" or greater.
- 3) All dimensions measured from nominal rough-in (see H as reference).
- 4) Dimensions subject to change without notice.