

Location:



# Triple Outlet Diverter Valve 53-3DIV Specification Submittal




## Model Numbers

- 53-3DIV Diverter valve and trim
- 53-DIV-TRM Trim only, valve body ordered separately

## Finish Options / Modifications

Append appropriate -suffix to model number

- BLK Polished graphite
- STN Satin nickel
-  -NS Non-shared diverter valve

## Feature Highlights

- Triple outlet diverter valve with trim
- Metal construction
- Polished chrome finish (standard)

## Warranty

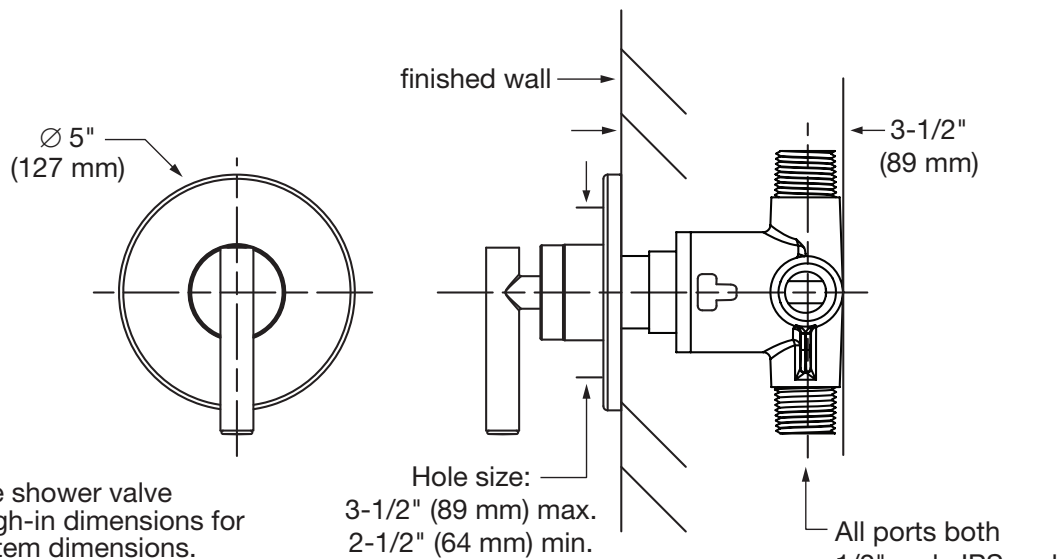
- Limited Lifetime - to the original end purchaser in consumer installations
- 5 years - for commercial installations

## Standards / Certifications

ASME A112.18.1/CSA B125.1



## Dimensions Museo Dual Outlet Diverter Valve, 53-3DIV



### Notes:

- (1) See shower valve rough-in dimensions for system dimensions.
- (2) Dimensions subject to change without notice