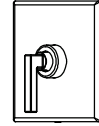


3691TRM
Shower Trim
Specification Submittal

Location:



Model Numbers

Options/Modifications

- 3691TRM**
Tub/Shower System Trim

Valve Options:

- 261 Series Temptrol Shower Valve used with TRM modifiers
- 161 Series Temptrol Shower valve requires TC modifier

- 15** 1.5 gpm (5.7 L/min) flow restrictor
- 175** 1.75 gpm (6.6 L/min) flow rate restrictor
- L1** Less shower head
- L7** Less handle
- TC** Test Cap Trim (includes TA-10&T-12A) used with 16 series Temptrol Valve
- BBZ** Brushed Bronze finish
- MB** Matte Black finish
- STN** Satin Nickel finish

Feature Highlights

- Duro Shower Trim
- Requires Temptrol® Pressure Balancing Shower Valve
- Metal lever handle
- 1-mode showerhead
- Standard flow rate 2.0 gpm (7.6 L/min) flow restrictors
- Components shall be metal and nonmetal construction, plated in standard polished chrome finish

Compliance

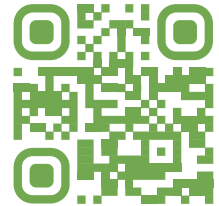
- ASME A112.18.1/CSA B125.1
- WaterSense 1.5 gpm (5.7 L/min) 1.75 gpm(6.6 L/min) 2.0 gpm (7.6 L/min)
- Lever handle meets ADA requirements for operation



Warranty

Limited Lifetime - to the original end purchaser in consumer/residential installations.

10 Years - for commercial/industrial installations. Refer to www.symmons.com/warranty for complete warranty information.



SKU Builder

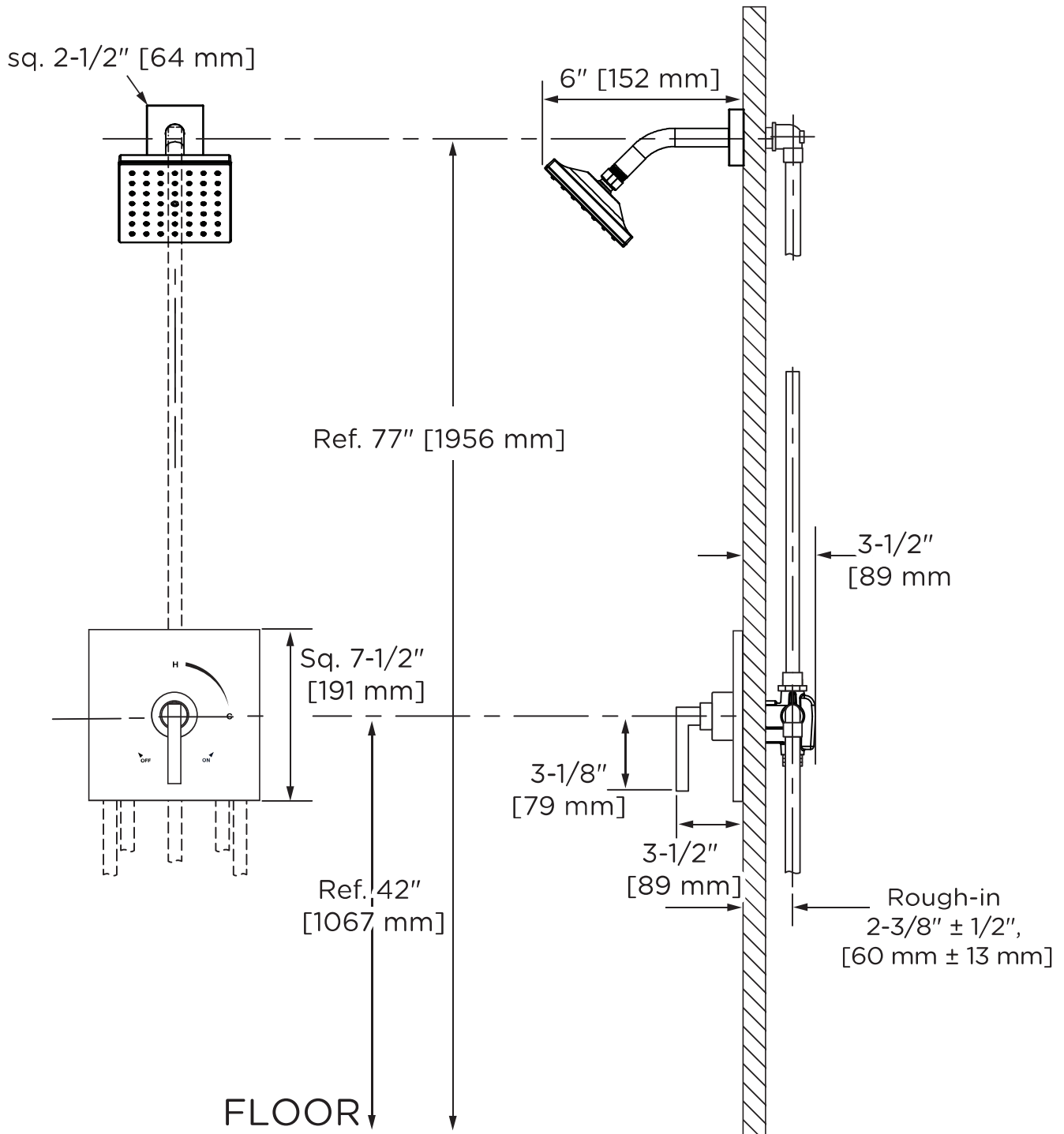
Series	Finish	Modifier	Flow Rate	TRM (required)	TC	Final SKU
3691	STN		15	TRM		3691STN15TRM
3691	MB	L1		TRM	TC	3691MBL1TRMTC

Note: No more than two modifiers (L1-L7) and modifier order will follow numerical order.

Architectural/Engineering Specification

Symmons Duro Shower Trim _____ Includes Duro Shower Trim, requires Temptrol® Pressure Balancing Shower Valve, Metal lever handle, 1-mode showerhead, Standard flow rate 2.0 gpm (7.6 L/min) flow restrictors, Tub spout not included, Components shall be metal and nonmetallic construction, plated in standard Polished Chrome finish, 10 Year Commercial Warranty. Lever handle meets ADA requirements for operation. ASME A112.18.1/CSA B125.1, WaterSense 1.5 gpm (5.7 L/min), 1.75 gpm (6.6 L/min), 2.0 gpm (7.6 L/min) compliant. Available options: "1.5 - 1.5 gpm (5.7 L/min) flow restrictor", "TRM - Trim only, valve not included", "L1 - Less showerhead", "L7 - Less handle", "TC - Test Cap Trim", "BBZ - Brushed Bronze finish", "MB - Matte Black finish", and "STN - Satin Nickel finish".

Dimensions



Notes:

- 1) Valve body and piping not included and shown as reference only.
- 2) Plaster shield (p/n T-176) for dry wall, plaster or other type walls 1/2" or greater.
- 3) All dimensions measured from nominal rough-in.
- 4) Dimensions subject to change without notice.