



SYMMONS® Elm™

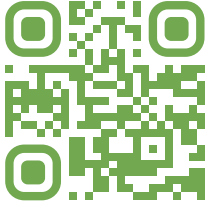

Location:



552TSD

Diverter Tub Spout

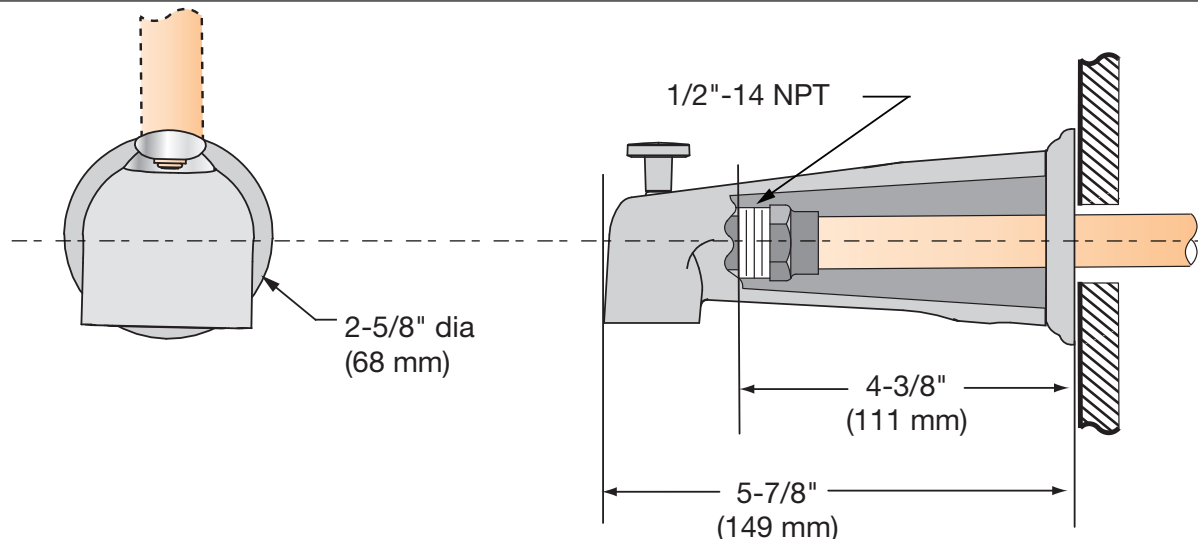
Specification Submittal

<p>Model Numbers</p>	<p>Feature Highlights</p>
<p><input type="checkbox"/> 552TSD Diverter Tub Spout</p>	<ul style="list-style-type: none"> • Metal construction • Standard finish is polished chrome
<p>Options/ Modifications</p>	<p>Warranty</p>
<p><input type="checkbox"/> SBZ Seasoned Bronze</p> <p><input type="checkbox"/> STN Satin Nickel finish</p> <p><input type="checkbox"/> MB Matte Black finish</p> <p><input type="checkbox"/> BBZ Brushed Bronze finish</p> <p>Note: Append appropriate -suffix to model number.</p>	<p>Limited Lifetime - to the original end purchaser in consumer/residential installations. 10 Years - for commercial/industrial installations. Refer to www.symmons.com/warranty for complete warranty information.</p> 
<p>Compliance</p> <p>- ASME A112.18.1/CSA B125.1</p> 	

Architectural/ Engineering Specification

Symmons Elm Diverter Tub Spout _____ Includes Metal construction, Standard finish is polished chrome. 10 Year Commercial Warranty. ASME A112.18.1/CSA B125.1 compliant. Available options: "SBZ - Seasoned Bronze", "STN - Satin Nickel finish", "MB - Matte Black finish", "BBZ - Brushed Bronze finish".

Dimensions



Note:

1) Dimensions subject to change without notice.