







Two-Handle Widespread Lavatory Faucet Location:  
**Specification Submittal**

<p><b>Model Numbers</b></p> <p><input type="checkbox"/> <b>SLW6712PP</b> Two-Handle Widespread Lavatory Faucet with Push-Pop Drain Assembly</p>	<p><b>Feature Highlights</b></p> <ul style="list-style-type: none"> <li>• 8" to 16" mount configuration.</li> <li>• Quarter-turn ceramic cartridges.</li> <li>• 3/8" inlet connections.</li> <li>• 24" braided supply hoses.</li> <li>• Metal Push-Pop drain assembly.</li> <li>• Standard 1.0 gpm (3.8 L/min) flow rate.</li> <li>• Components shall be metal construction, plated in standard Polished Chrome finish.</li> </ul>
<p><b>Options/Modifications</b></p> <p><input type="checkbox"/> <b>BBZ</b> Brushed Bronze finish</p> <p><input type="checkbox"/> <b>MB</b> Matte Black finish</p> <p><input type="checkbox"/> <b>STN</b> Satin Nickel finish</p> <p><input type="checkbox"/> <b>05</b> 0.5 gpm (1.9 L/min) aerator</p>	<p><b>Warranty</b></p> <p><b>Limited Lifetime</b> - for residential installations.  <b>10 Years</b> - for commercial/industrial installations.  Refer to <a href="http://www.symmons.com/warranty">www.symmons.com/warranty</a> for complete warranty information.</p> 
<p><b>Compliance</b></p> <p>- ASME® A112.18.1; CSA® B125.1  - NSF/ANSI/CAN 61: Q&lt;1, NSF/ANSI 372  - WaterSense® for 1.0 gpm Only  - Lever handle meets ADA requirements  - Push-Pop meets ADA requirements for operation</p>   	

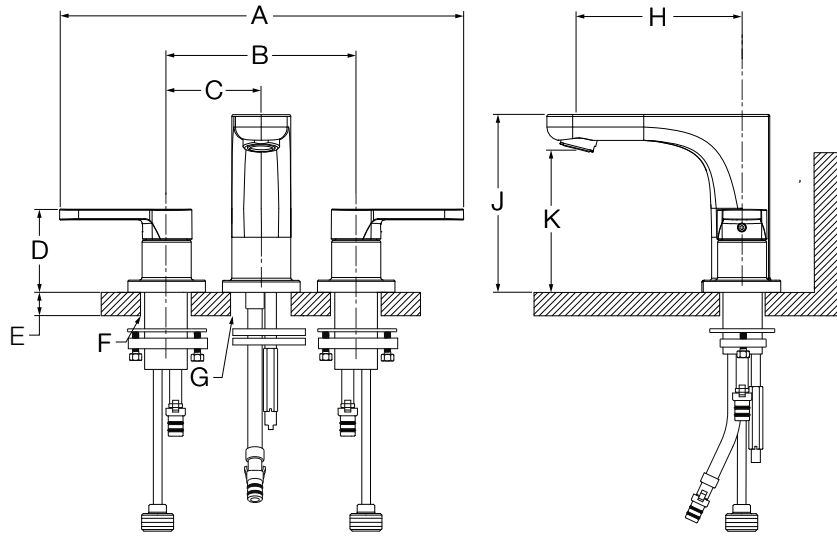
**SKU Builder**

Series	Finish	PP	Flow Rate	Final SKU
SLW6712	STN	PP	05	SLW6712STNPP05
SLW6712		PP		SLW6712PP

**Architectural/Engineering Specification**

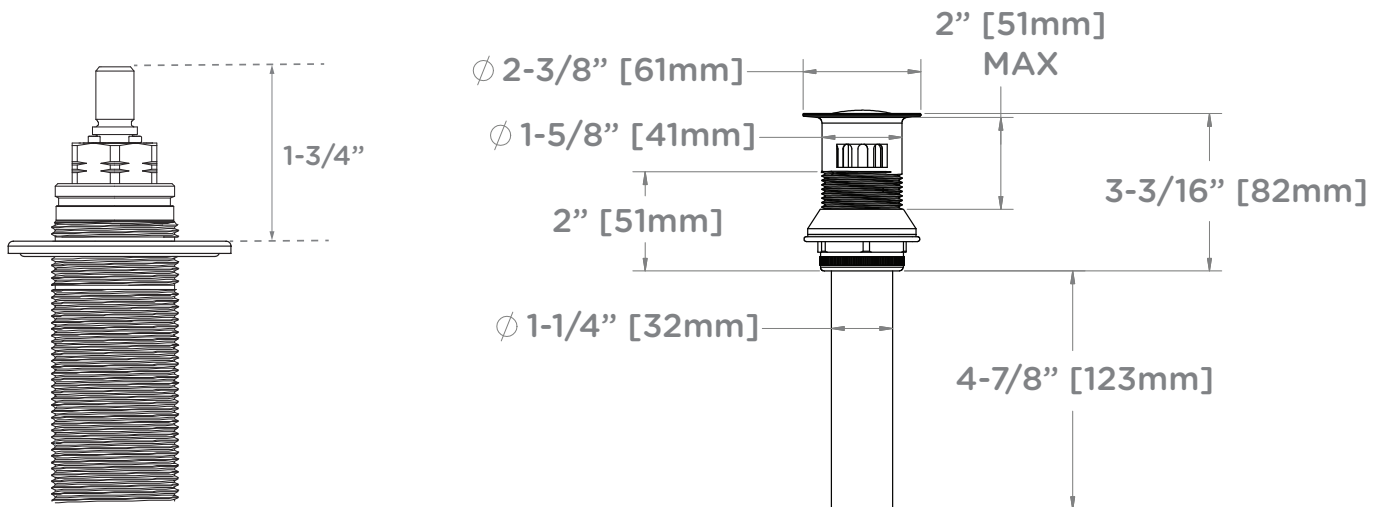
Symmons Identity Two-Handle Widespread Lavatory Faucet \_\_\_\_\_. Features 8" to 16" mount configuration with quarter-turn ceramic cartridges, 3/8" inlet connections, 24" braided supply hoses, 1.0 gpm (3.8 L/min) flow restrictor, and metal construction plated in standard Polished Chrome finish. 10-Year Commercial Warranty. ASME A112.18.1; CSA B125.1, NSF/ANSI/CAN 61: Q<1, NSF/ANSI 372, and WaterSense compliant. Lever handle meets ADA requirements and Push-Pop meets ADA requirements for operation. Available options include: 05 = 0.5 gpm (1.89 L/min) Flow Restrictor, BBZ = Brushed Bronze finish, MB = Matte Black finish, and STN = Satin Nickel finish.

## Dimensions



**Note:** Dimensions subject to change without notice.

Measurements	
<b>A</b>	13-1/2", 343 mm
<b>B</b>	8", 203 mm
<b>C</b>	4", 102 mm
<b>D</b>	(2x) 2-1/8", 54 mm
<b>E</b>	Deck Thickness Ref. Min. 5/8", 16 mm Max. 1-3/8", 35 mm
<b>F</b>	(2x) Hole Size Min. Ø 1-1/4", 32 mm Max. Ø 1-1/2", 38 mm
<b>G</b>	Hole Size Min. Ø 1-3/8", 35 mm Max. Ø 1-5/8", 41 mm
<b>H</b>	4-5/16", 110 mm
<b>J</b>	4-5/8", 117 mm
<b>K</b>	3-5/8", 92 mm



**Note:**  
Flange to be set to 1-3/4"