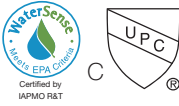



Location:



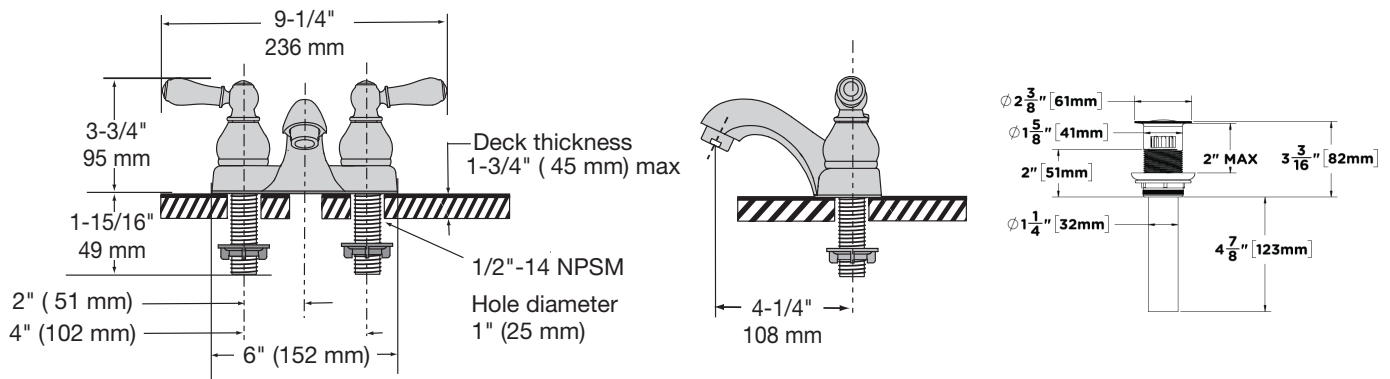
SLC4712PP
Lavatory Faucet
Specification Submittal

<p>Model Numbers</p>	<p>Feature Highlights</p>
<p><input type="checkbox"/> SLC4712PP Centerset Lavatory Faucet with Push Pop Drain Assembly</p>	<ul style="list-style-type: none"> • Two handle 4 inch centerset lavatory faucet with quarter turn ceramic components • Solid Brass Construction • Lever handles with red & blue indicators • 1/2 inch IPS shanks • Aerator with standard 1.0 gpm flow rate (3.8 L/min) • Polished chrome finish
<p>Options/ Modifications</p>	
<p><input type="checkbox"/> STN Satin Nickel Finish</p> <p>Note: Append appropriate -suffix to model number.</p>	<p>Warranty</p>
<p>Compliance</p> <p>- ASME A112.18.1/CSA B125.1 - NSF/ANSI/CAN 61: Q<1, NSF/ANSI 372 - WaterSense 1.0 gpm</p> 	<p>Limited Lifetime - to the original end purchaser in consumer/residential installations. 10 Years - for commercial/industrial installations. Refer to www.symmons.com/warranty for complete warranty information.</p> 

Architectural/ Engineering Specification

Symmons Allura Lavatory Faucet _____ Includes Two handle 4 inch centerset lavatory faucet with quarter turn ceramic components, Solid Brass Construction, Lever handles with red & blue indicators, 1/2 inch IPS shanks, Aerator with standard 1.0 gpm flow rate (3.8 L/min), Polished chrome finish. 10 Year Commercial Warranty. ASME A112.18.1/CSA B125.1, NSF/ANSI/CAN 61: Q<1, NSF/ANSI 372, WaterSense 1.0 gpm compliant. Available options: "STN - Satin nickel finish".

Dimensions



Note: Dimensions are subject to change without notice.