






4991TRM Shower Trim Specification Submittal

Location:



Model Numbers	Options/Modifications
<input type="checkbox"/> 4991TRM Shower Trim Valve Options: -261 Series Temptrol® Shower Valve with TRM modifiers -161 Series Temptrol Shower Valve requires TC modifier	<input type="checkbox"/> 15  1.5 gpm (5.7 L/min) flow restrictor <input type="checkbox"/> L1 Less showerhead <input type="checkbox"/> L7 Less handle <input type="checkbox"/> TC Test Cap Trim (includes TA-10™ & T-12A) <i>used with 161 Series Temptrol Shower Valve</i> <input type="checkbox"/> MB Matte Black finish <input type="checkbox"/> STN Satin Nickel finish
Feature Highlights <ul style="list-style-type: none"> • Verity Shower Trim. • Requires Temptrol Pressure-Balancing Shower Valve. • Metal lever handle. • Single-mode showerhead. • Standard 2.0 gpm (7.6 L/min) flow restrictor. • Components shall be metal and nonmetal construction, plated in standard Polished Chrome finish. 	Warranty
Compliance <ul style="list-style-type: none"> • ASME® A112.18.1/CSA® B125.1 • WaterSense® 1.5 gpm (5.7 L/min) 2.0 gpm (7.6 L/min) • Lever handle meets ADA requirements for operation • 1.5 gpm option meets CALGreen requirements   	Limited Lifetime - for residential installations. 10 Years - for commercial/industrial installations. Refer to www.symmons.com/warranty for complete warranty information. 

SKU Builder

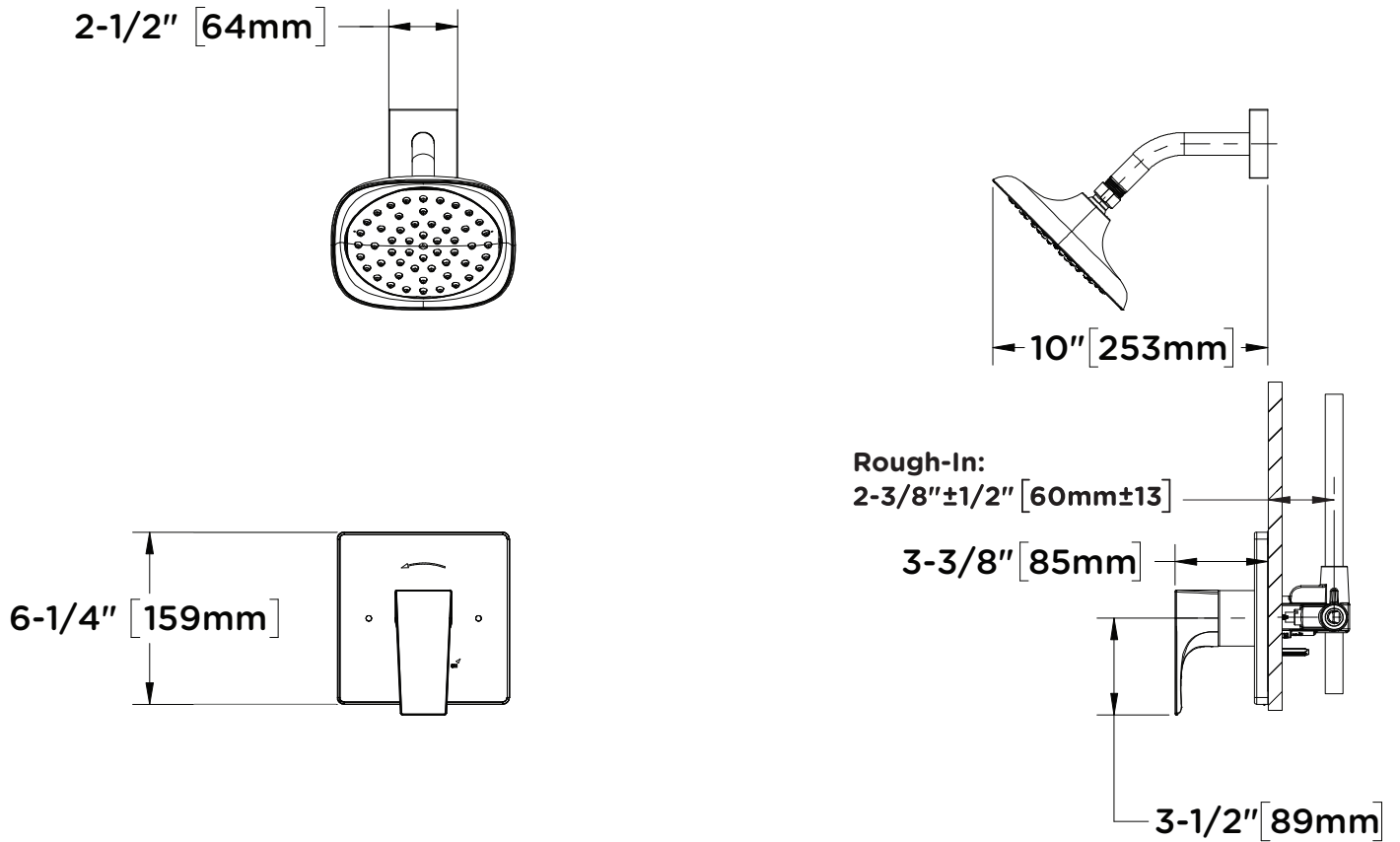
Series	Finish	Modifier	Flow Rate	Trim (required)	Test Cap	Final SKU
4991	STN	L7	15	TRM		4991STNL715TRM
4991	MB			TRM	TC	4991MBTRMTC

Notes: No more than two modifiers (L1-L7) permitted when ordering. Modifiers will list in numerical order.

Architectural/Engineering Specification

Symmons _____ Includes Verity Shower Trim for Temptrol Pressure-Balancing Shower Valve. Features metal lever handle, single-mode showerhead, and standard 2.0 gpm (7.6 L/min) flow restrictor. Components shall be metal and nonmetal construction, plated in standard Polished Chrome finish. 10-Year Commercial Warranty. ASME A112.18.1/CSA B125.1, WaterSense 1.5 gpm (5.7 L/min) and 2.0 gpm (7.6 L/min) compliant. Lever handle meets ADA requirements for operation. 1.5 gpm option meets CALGreen requirements. Available options: 15 = 1.5 gpm (5.7 L/min) flow restrictor, L1 = Less showerhead, L7 = Less handle, TC = Test Cap Trim, MB = Matte Black finish, STN = Satin Nickel finish.

Dimensions



Notes:

- 1) Valve body and piping not included and shown as reference only.
- 2) Plaster shield (p/n T-176) for drywall, plaster, or other type walls 1/2" or greater.
- 3) All dimensions measured from nominal rough-in.
- 4) Dimensions subject to change without notice.