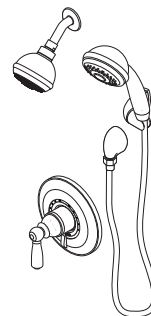





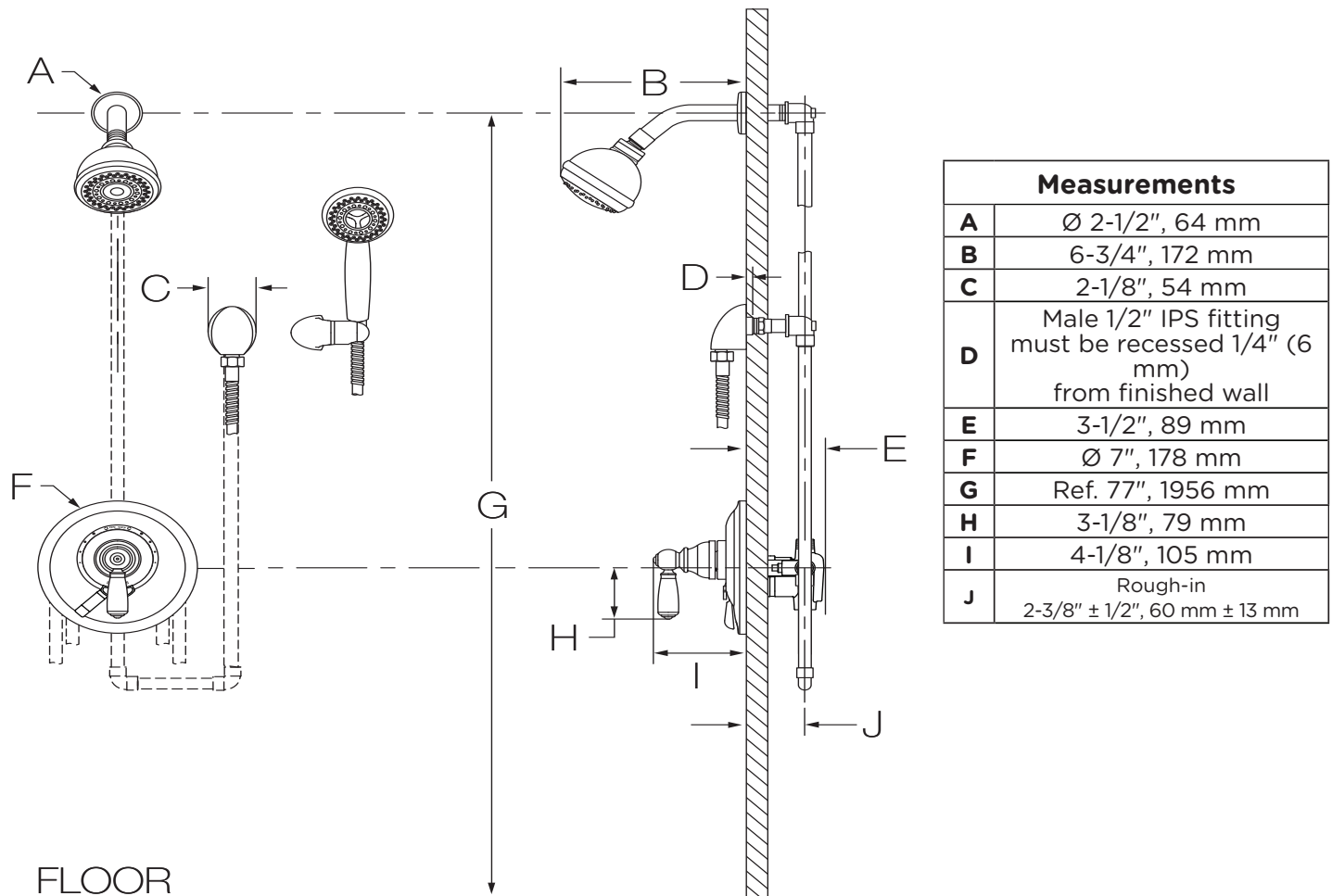
Location:



S4708TRM, S4708TRMTC Shower/Hand Shower Trim Specification Submittal

Feature Highlights	Options/Modifications
<ul style="list-style-type: none"> Allura Shower/Hand Shower Trim Requires Temptrol® Pressure Balancing Tub/Shower Valve Integral diverter control Metal lever handle Cradle for hand shower wand 60" flexible metal hose 3 mode hand shower Dual checks for backflow protection 3 mode showerhead 2.0 gpm (7.6 L/min) flow restrictors Tub spout not included Components shall be metal and nonmetallic construction, plated in standard Polished Chrome finish Available with TA-10 flow control spindle and T-12A cap assembly for Temptrol valve bodies installed with Test Cap (order p/n S4708TRMTC) For optional in-line vacuum breaker order p/n EF-109 	<ul style="list-style-type: none"> <input type="checkbox"/> -1.5  1.5 gpm (5.7 L/min) flow restrictor <input type="checkbox"/> -L1 Less showerhead <input type="checkbox"/> -L2 Less hand shower wand <input type="checkbox"/> -L3 Less showerhead & hand shower wand <input type="checkbox"/> -L4 Less showerhead, arm and flange <input type="checkbox"/> -L5 Less hand shower system <input type="checkbox"/> -L6 Less Handle <input type="checkbox"/> -STN Satin Nickel finish <p>Note: Append appropriate -suffix to model number.</p>
Model Numbers	Warranty
<ul style="list-style-type: none"> <input type="checkbox"/> S4708TRM Shower/Hand Shower Trim with integral diverter control, Temptrol Pressure Balancing Tub/Shower Valve ordered separately <input type="checkbox"/> S4708TRMTC Shower/Hand Shower Trim with integral diverter control, TA-10 flow control spindle and T-12A cap assembly, must order Temptrol valve with Test Cap 	<p>Limited Lifetime - to the original end purchaser in consumer/residential installations.</p> <p>10 Years - for commercial/industrial installations. Refer to www.symmons.com/warranty for complete warranty information.</p> 
Architectural/ Engineering Specification	Compliance
<p>Symmons Allura _____ With Allura Shower/Hand Shower Trim, Requires Temptrol® Pressure Balancing Tub/Shower Valve, Integral diverter control, Metal lever handle, Cradle for hand shower wand, 60" flexible metal hose, 3 mode hand shower, Dual checks for backflow protection, 3 mode showerhead, 2.0 gpm (7.6 L/min) flow restrictors, Tub spout not included, Components shall be metal and nonmetallic construction, plated in standard Polished Chrome finish, Available with TA-10 flow control spindle and T-12A cap assembly for Temptrol valve bodies installed with Test Cap (order p/n S4708TRMTC), For optional in-line vacuum breaker order p/n EF-109, 10 Year commercial Warranty. ASME A112.18.1/CSA B125.1, complaint. Available options include: "1.5 - 1.5 gpm (5.7 L/min) flow restrictor", "L1 - Less showerhead", "L2 - Less hand shower wand", "L3 - Less showerhead & hand shower wand", "L4 - Less showerhead, arm and flange", "L5 - Less hand shower system", "L7 - Less handle", "STN - Satin nick finish.</p>	<ul style="list-style-type: none"> ASME A112.18.1/CSA B125.1 

Dimension



Notes:

- 1) Valve body and piping not included and shown as reference only.
- 2) Plaster shield (p/n T-176) for dry wall, plaster or other type walls 1/2" or greater.
- 3) All dimensions measured from nominal rough-in (see J as reference).
- 4) Dimensions subject to change without notice.