




Location:



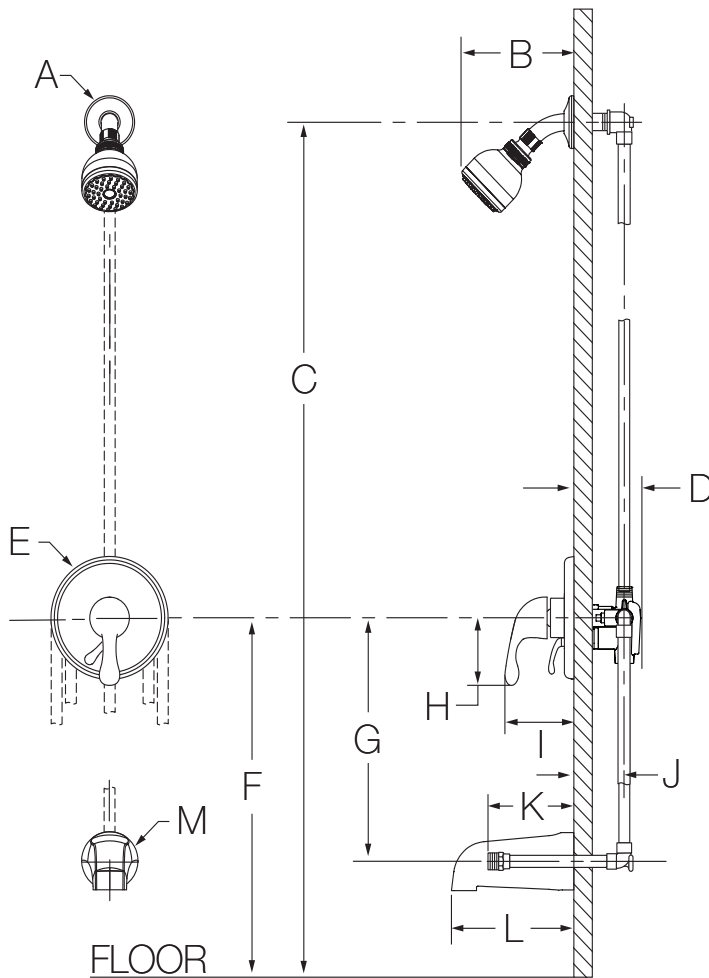
S-6602-TRM, S6602TRMTC
Tub/Shower Trim
Specification Submittal

Feature Highlights	Options/Modifications
<ul style="list-style-type: none"> Unity Tub/Shower Trim Requires Temptrol® Pressure Balancing Tub/Shower Valve Integral diverter control Metal lever handle 5-1/4" non-diverter tub spout 1 mode showerhead with easy to clean nozzles 2.0 gpm (7.6 L/min) flow restrictor Components shall be metal and nonmetallic construction, plated in standard Polished Chrome finish Available with TA-10 flow control spindle and T-12A cap assembly for Temptrol valve bodies installed with Test Cap (order p/n S6602TRMTC) 	<ul style="list-style-type: none"> <input type="checkbox"/> 1.5  1.5 gpm (5.7 L/min) flow restrictor <input type="checkbox"/> L1 Less showerhead <input type="checkbox"/> L4 Less head, arm and flange <input type="checkbox"/> L6 Less tub spout <input type="checkbox"/> L7 Less handle <input type="checkbox"/> STN Satin Nickel finish <p>Note: Append appropriate -suffix to model number.</p>
Model Numbers	Compliance
<ul style="list-style-type: none"> <input type="checkbox"/> S-6602-TRM Tub/Shower Trim with integral diverter control, Temptrol Pressure Balancing Tub/Shower Valve ordered separately <input type="checkbox"/> S6602TRMTC Tub/Shower Trim with integral diverter control, TA-10 flow control spindle and T-12A cap assembly, must order Temptrol valve with Test Cap 	<ul style="list-style-type: none"> ASME A112.18.1/CSA B125.1 WaterSense 1.5 gpm (5.7 L/min) 2.0 gpm (7.6 L/min) 
	Warranty
	<p>Limited Lifetime - to the original end purchaser in consumer/residential installations.</p> <p>10 Years - for commercial/industrial installations. Refer to www.symmons.com/warranty for complete warranty information.</p> 

Architectural/ Engineering Specification

Symmons _____ With Unity Tub/Shower Trim, Requires Temptrol® Pressure Balancing Tub/Shower Valve, Integral volume control, Metal lever handle, 5-1/4" non-diverter tub spout, 1 mode showerhead with easy to clean nozzles, 2.0 gpm (7.6 L/min) flow restrictor, components shall be metal and nonmetallic construction, plated in standard Polished Chrome finish, Available with TA-10 flow control spindle and T-12A cap assembly for Temptrol valve bodies installed with Test Cap (order p/n S6601TRMTC). 10 Year commercial Warranty. ASME A112.18.1/CSA B125.1, WaterSense 1.5 gpm (5.7 L/min), 2.0 gpm (7.6 L/min) Complaint. Available options include "1.5 - 1.5 gpm (5.7 L/min) flow restrictor", "L1 - Less showerhead", "L4 - Less head, arm and flange", "L6 - Less tub spout", "L7 - Less handle", "STN - Satin nickel finish".

Dimensions



Measurements	
A	Ø 2-1/2", 64 mm
B	6-3/8", 162 mm
C	Ref. 77", 1956 mm
D	3-1/2", 89 mm
E	Ø 6-3/8", 162 mm
F	Ref. 32", 813 mm
G	Ref. 12", 305 mm
H	3-1/2", 89 mm
I	3-3/4", 95 mm
J	Rough-in 2-3/8" ± 1/2", 60 mm ± 13 mm
K	Male 1/2-14 NPT fitting must protrude 4" (102 mm) from finished wall
L	5-1/4", 133 mm
M	Ø 2-1/2", 64 mm

Notes:

- 1) Valve body and piping not included and shown as reference only.
- 2) Plaster shield (p/n T-176) for dry wall, plaster or other type walls 1/2" or greater.
- 3) All dimensions measured from nominal rough-in (see J as reference).
- 4) Dimensions subject to change without notice.