

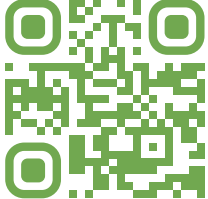


Location:



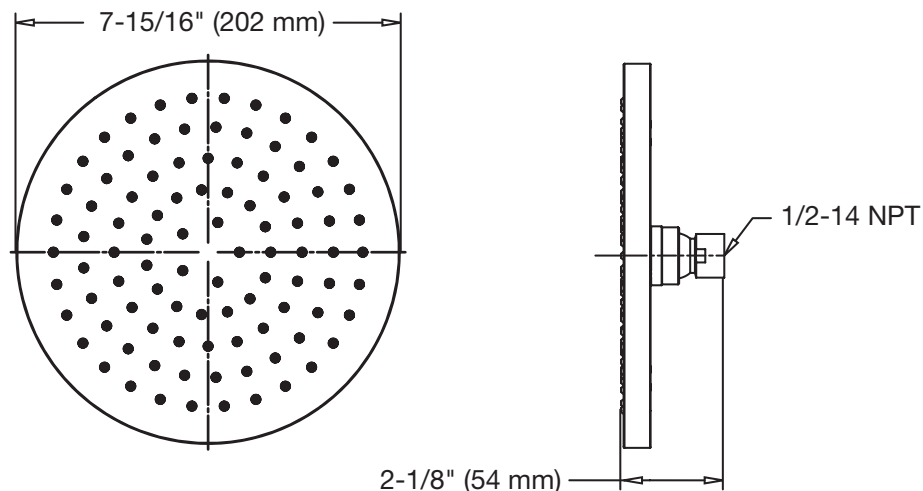
432SH
Showerhead
Specification Submittal

Model Numbers	Feature Highlights
<input type="checkbox"/> 432SH Showerhead	<ul style="list-style-type: none"> • Single mode showerhead • Polished chrome finish (standard finish) • 2.0 gpm (7.6 L/min) standard flow rate
Options/ Modifications	
<input type="checkbox"/> 1.5 1.5 gpm (5.7 L/min) flow restrictor <input type="checkbox"/> STN Satin Nickel finish <input type="checkbox"/> MB Matte Black finish Note: Append appropriate -suffix to model number.	
Compliance	Warranty
- ASME A112.18.1/CSA B125.1 - WaterSense 2.0 gpm (7.6 L/min)  	Limited Lifetime - to the original end purchaser in consumer/residential installations. 10 Years - for commercial/industrial installations. Refer to www.symmons.com/warranty for complete warranty information. 

Architectural/ Engineering Specification

Symmons Sereno Showerhead _____ Includes Single mode showerhead, Polished chrome finish (standard finish), 2.0 gpm (7.6 L/min) standard flow rate. 10 Year Commercial Warranty. ASME A112.18.1/CSA B125.1, WaterSense 2.0 gpm (7.6 L/min) compliant. Available options: "1.5 - 1.5 gpm (5.7 L/min) flow restrictor", "STN - Satin Nickel finish", "MB - Matte Black finish".

Dimensions



Note: Dimensions subject to change without notice.