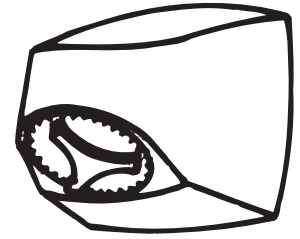


# Location:




## Institutional Showerhead 4-150 Specification Submittal

### Model Numbers

- 4-150 Showerhead set at 30 degree spray

### Options / Modifications

Append appropriate -suffix to model number

-  **-1.5 1.5 (5.7 L/min) Flow rate restrictor**
- A Anchor plate for use with ceramic tile**


### Standards / Certifications

ASME A112.18.1; CSA B125.1

Accepted by NY State Office of Metal Health (NY OHM)



### Feature Highlights

- Senior Institutional showerhead with mounting bracket
- 30 degree spray angle (standard) or 15 degree spray angle (optional)
- Single mode
- Showerhead is non-adjustable by user and has no removable parts
- Standard flow rate, 2.0 gpm (7.6 L/min)  
Optional lower flow rate restrictor available 
- Polished chrome finish (standard)

### Finish Options / Modifications

Append appropriate -suffix to model number

- Polished chrome finish (standard finish)

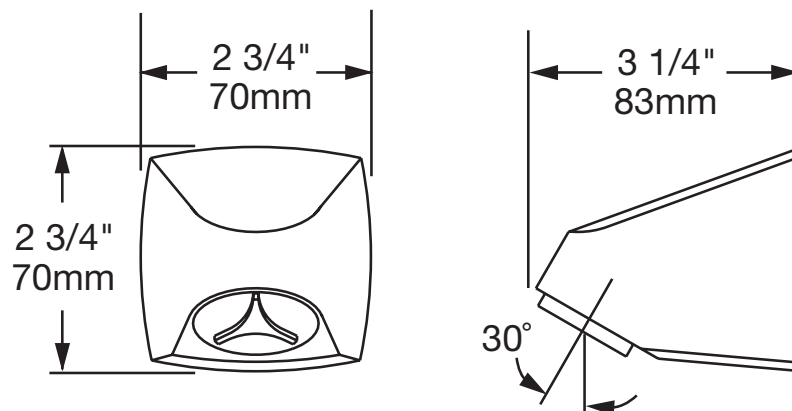
### Warranty

Limited Lifetime - to the original end purchaser in consumer/residential installations.

10 Years - for commercial/industrial installations. Refer to [www.symmons.com/warranty](http://www.symmons.com/warranty) for complete warranty information.



### Dimensions Showerhead, 4-150



**Note:** Dimensions subject to change without notice.