



S-4701-TRM, S4701TRM  
Shower Trim

Location:

### Specification Submittal

#### Model Numbers

- S-4701-TRM**  
Shower Trim (modifiers include decimal points and hyphens)
- S4701TRM**  
Shower Trim (use when ordering L1-L7 and TC modifications, do not use hyphens or decimal points)

**Valve Options:**

- S261 Series Temptrol® VersaFlex™ Shower Valve used with TRM modifiers
- S161 Series Temptrol VersaFlex Shower Valve requires TC modifier

#### Options/Modifications

- 1.5** 1.5 gpm (5.7 L/min) flow restrictor
- 1.75** 1.75 gpm (6.62 L/min) flow restrictor
- L1** Less showerhead
- L7** Less handle
- TC** Test Cap Trim (includes TA-10™ & T-12A) used with S161 Series Temptrol VersaFlex Shower Valve
- STN** Satin Nickel finish

#### Warranty

**Limited Lifetime** - for residential installations.  
**10 Years** - for commercial/industrial installations.  
 Refer to [www.symmons.com/warranty](http://www.symmons.com/warranty) for complete warranty information.



#### Compliance

- ASME® A112.18.1/CSA® B125.1
- WaterSense® 1.75 gpm (6.62 L/min)
- Lever handle meets ADA requirements for operation
- 1.5 gpm and 1.75 gpm options meet CALGreen requirements



#### Feature Highlights

- Allura Shower Trim.
- Requires Temptrol VersaFlex Pressure-Balancing Shower Valve.
- Integral volume control.
- Metal lever handle.
- 3-mode showerhead.
- Standard 2.0 gpm (7.6 L/min) flow restrictor.
- Components shall be metal and nonmetal construction, plated in standard Polished Chrome finish.

#### SKU Builder

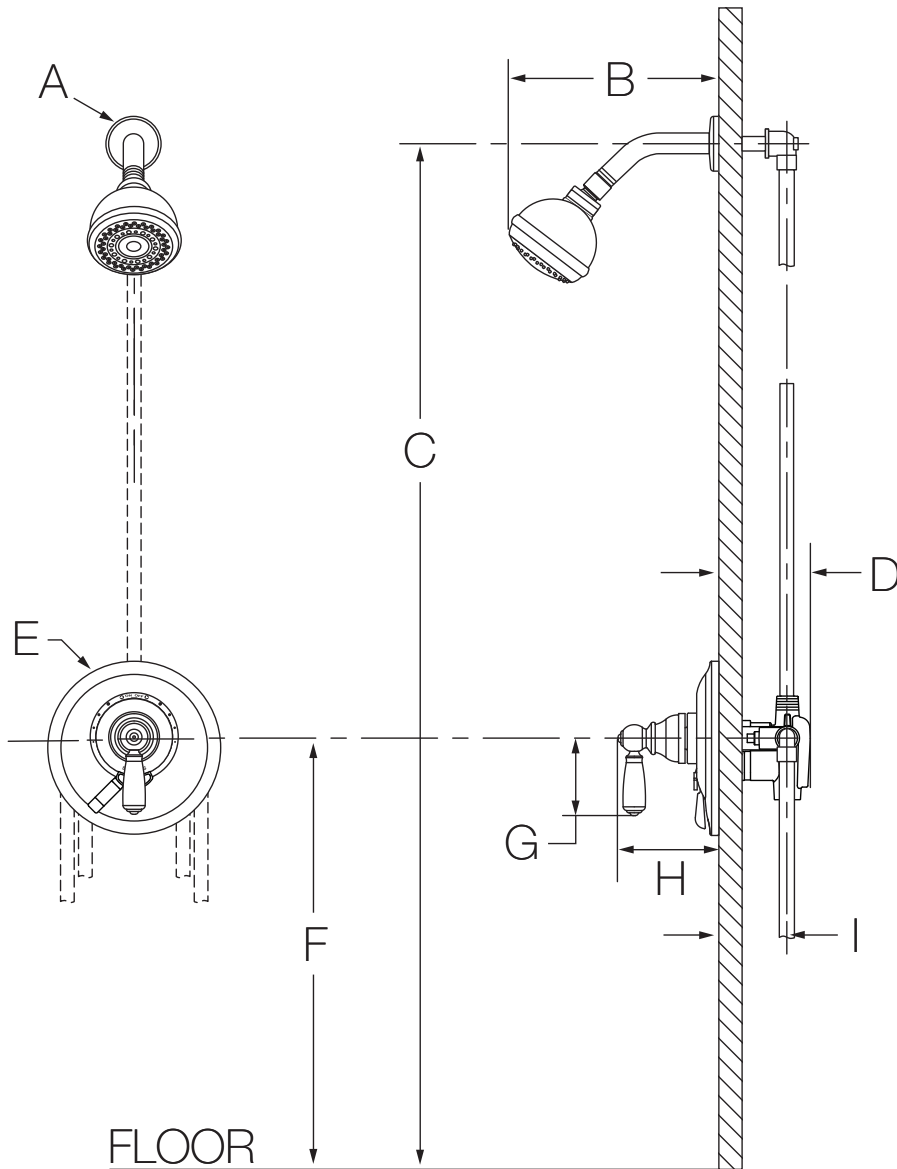
Series	Finish	Modifier	Flow Rate	TRM (required)	TC	Final SKU
S-4701-	STN		1.5	TRM		S-4701-STN-1.5-TRM
S4701		L7	15	TRM	TC	S4701L715TRMTC

**Notes:** No more than two modifiers (L1-L7) permitted when ordering. Modifiers will list in numerical order.

#### Architectural/Engineering Specification

Symmons Allura \_\_\_\_\_ includes Allura Shower Trim for Temptrol VersaFlex Pressure-Balancing Shower Valve. Features integral volume control, metal lever handle, 3-mode showerhead, and standard 2.0 gpm (7.6 L/min) flow restrictor. Components shall be metal and nonmetal construction, plated in standard Polished Chrome finish. 10-Year Commercial Warranty. ASME A112.18.1/CSA B125.1 and WaterSense 1.75 compliant. Lever handle meets ADA requirements for operation. 1.5 gpm and 1.75 gpm options meet CALGreen requirements. Available options include: 1.5 = 1.5 gpm (5.7 L/min) flow restrictor, 1.75 = 1.75 gpm (6.62 L/min) flow restrictor, L1 = Less showerhead, L7 = Less Handle, STN = Satin Nickel finish, TC = Test Cap Trim.

## Dimensions



Measurements	
A	Ø 2-1/2", 64 mm
B	6-3/4", 172 mm
C	Ref. 77", 1956 mm
D	3-1/2", 89 mm
E	Ø 7", 178 mm
F	Ref. 42", 1067 mm
G	3-1/8", 79 mm
H	4-1/8", 105 mm
I	Rough-In 2-3/8" ± 1/2", 60 mm ± 13 mm

### Notes:

- 1) Valve body and piping not included and shown as reference only.
- 2) Plaster shield (p/n T-176) for drywall, plaster, or other type walls 1/2" or greater.
- 3) All dimensions measured from nominal rough-in (see I as reference).
- 4) Dimensions subject to change without notice.