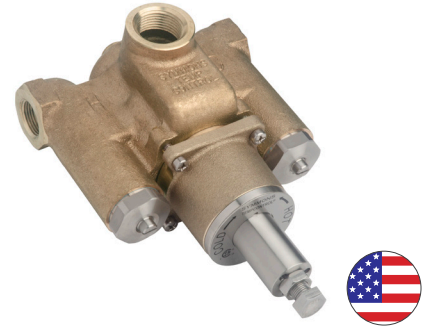






# SYMMONS® TempControl®



7-400  
Thermostatic Mixing Valve  
**Specification Submittal**

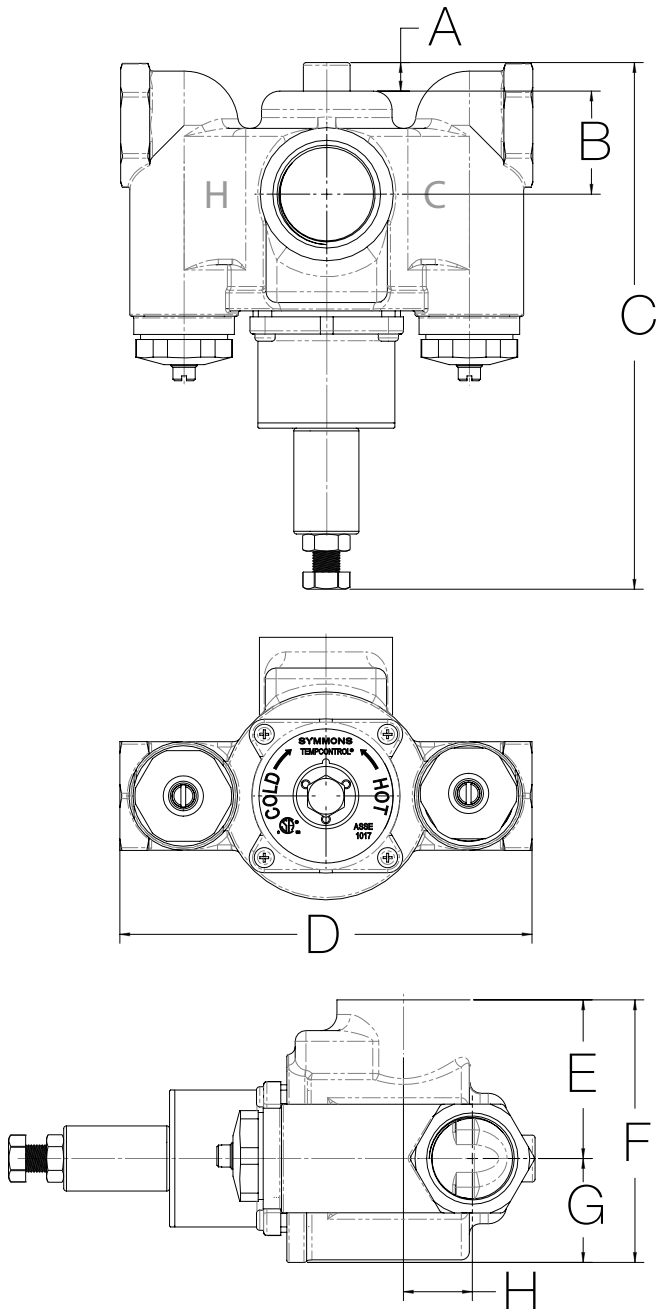
Location:

<b>Model Numbers</b>	<b>Feature Highlights</b>
<input type="checkbox"/> <b>7-400</b> Thermostatic Mixing Valve	<ul style="list-style-type: none"> <li>TempControl thermostatic mixing valve</li> <li>Brass, bronze, and stainless steel construction</li> <li>Features serviceable integral check stops</li> </ul>
<b>Options/ Modifications</b> <ul style="list-style-type: none"> <li><input type="checkbox"/> <b>-NI</b> Rough nickel finish</li> <li><input type="checkbox"/> <b>-P</b> Polished chrome highlight finish</li> <li><input type="checkbox"/> <b>-W</b> Wall mounting bracket</li> <li><input type="checkbox"/> <b>-B</b> Cabinet</li> <li><input type="checkbox"/> <b>-A</b> Assembly</li> <li><input type="checkbox"/> <b>-S</b> Semi-recessed cabinet has 4" return flange</li> <li><input type="checkbox"/> <b>-T</b> Stainless steel cabinet</li> <li><input type="checkbox"/> <b>-M</b> Surface mounted cabinet</li> <li><input type="checkbox"/> <b>-V</b> Vacuum Breaker</li> <li><input type="checkbox"/> <b>-TOP</b> Top supplies</li> </ul> <p><b>Note:</b> Append appropriate suffix to model number.</p>	<b>Warranty</b> <p><b>Limited Lifetime</b> - for residential installations.  <b>10 Years</b> - for commercial/industrial installations.          Refer to <a href="http://www.symmons.com/warranty">www.symmons.com/warranty</a> for complete warranty information.</p> 
<b>Coordinating Model Numbers</b>	<b>Compliance</b> <ul style="list-style-type: none"> <li>-ASME A112.18.1/CSA B125.3</li> <li>-ASSE 1017</li> <li>-NSF/ANSI 372</li> </ul> 
<ul style="list-style-type: none"> <li><input type="checkbox"/> <b>T-425-400</b> 3" bimetal dial thermometer</li> <li><input type="checkbox"/> <b>TF-400</b> Tee fitting</li> </ul>	

## Architectural/ Engineering Specification

Symmons \_\_\_\_\_. Includes TempControl thermostatic valve and serviceable integral check stops. Brass, bronze, and stainless steel construction. "10 Year Commercial Warranty". ASME A112.18.3/CSA B125.3-12, ASSE 1017, NSF/ANSI 61.9, and NSF/ANSI 372 compliant. Available options include: "NI - Rough nickel finish", "P - Polished chrome highlight finish", "W - Wall mounted bracket", "B - Cabinet", "A - Assembly", "S - Semi-recessed cabinet has 4 in return flange", "T - Stainless steel cabinet", "M - Surface mounted cabinet", "V - Vacuum breaker", and "TOP - Top supplies".

## Dimensions



TempControl Valve Sizes		
Model No.	Inlet	Outlet
7-400	3/4"	1"

Measurements	
A	1/2", 13 mm
B	1-1/2", 39 mm
C	9-3/4", 251 mm
D	6-1/2", 165 mm
E	2-5/8", 67 mm
F	4-1/8", 105 mm
G	1-1/2", 38 mm
H	3/4", 19 mm

## Flow Rate Chart

TABLE 1: FLOW RATE - gpm (L/min)								
VALVE MODEL	MIN. FLOW RATE*	MIN. FLOW RATE	PRESSURE DIFFERENTIAL - psi (kPa)					
			5 psi (34 kPa)	10 psi (69 kPa)	20 psi (138 kPa)	25 psi (172 kPa)	30 psi (207 kPa)	45 psi (310 kPa)
7-400	0.5 gpm (1.9 L/min)	9 gpm (34 L/min)	18 gpm (68 L/min)	27 gpm (102 L/min)	37 gpm (140 L/min)	41 gpm (155 L/min)	44 gpm (167 L/min)	53 gpm (201 L/min)

\*Minimum flow rate when valve is installed at or near the hot water source with recirculated tempered water and continuously operating circulating pump.