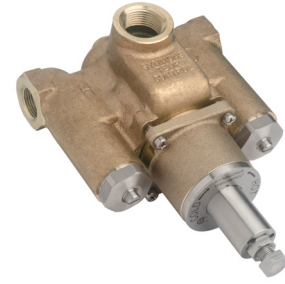





# SYMMONS® TempControl®



7-700  
Thermostatic Mixing Valve  
**Specification Submittal**

Location:

|  |  |
|--|--|
| <p><b>Specification</b></p> <p>TempControl thermostatic mixing valve made from lead free** metal components. Features serviceable integral check stops (see table 1 for flow rates).</p> <p><b>Temperature control range:</b><br/>70°F - 150°F (21.1°C - 65.6°C)</p> <p><b>Approach temperature:</b><br/>5°F (-15°C)</p> <p>**According to US Senate bill S.3874, the term "lead free" is defined as follows: "not more than a weighted average of 0.25 percent lead when used with respect to the wetted surfaces of pipes, pipe fittings, plumbing fittings, and fixtures"</p> | <p><b>Modifications</b></p> <ul style="list-style-type: none"> <li><input type="checkbox"/> -NI Rough nickel finish</li> <li><input type="checkbox"/> -P Polished chrome highlight finish</li> <li><input type="checkbox"/> -W Wall mounting bracket</li> </ul> <p><b>Note:</b> Append appropriate -suffix to model number.</p> <hr/> <p><b>Coordinating Model Numbers</b></p> <ul style="list-style-type: none"> <li><input type="checkbox"/> T-425-700 3" bimetal dial thermometer</li> <li><input type="checkbox"/> BV-700/900 Volume control shut-off valve</li> </ul> |
| <p><b>Compliance</b></p> <p>-ASME A112.18.1/CSA B125.3</p> <p>-ASSE 1017</p> <p>-NSF/ANSI 372</p>  | <p><b>Warranty</b></p> <p><b>Limited Lifetime</b> - for residential installations.<br/><b>10 Years</b> - for commercial/industrial installations.<br/>Refer to <a href="http://www.symmons.com/warranty">www.symmons.com/warranty</a> for complete warranty information.</p>   |

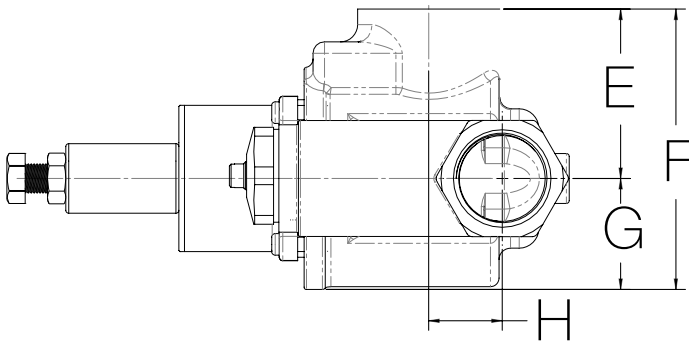
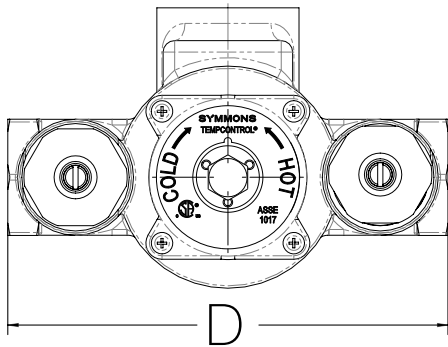
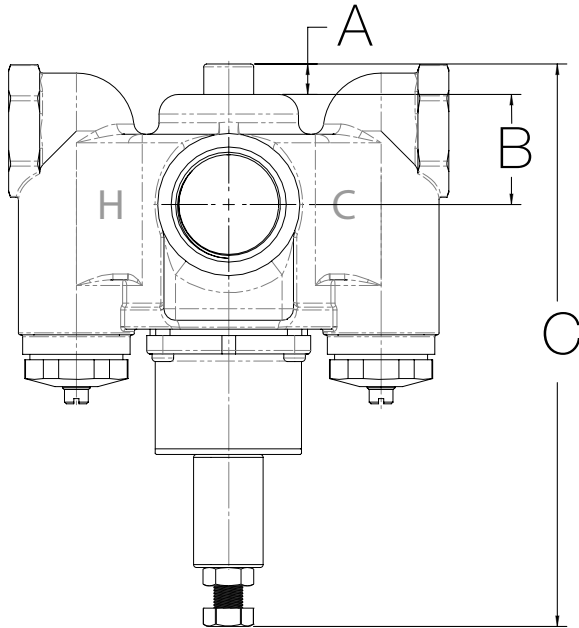


## Flow Rate Chart

| TABLE 1: FLOW RATE - gpm (L/min) |                     |                   |                                   |                    |                    |                    |                    |                    |
|----------------------------------|---------------------|-------------------|-----------------------------------|--------------------|--------------------|--------------------|--------------------|--------------------|
| VALVE MODEL                      | MIN. FLOW RATE*     | MIN. FLOW RATE    | PRESSURE DIFFERENTIAL - psi (kPa) |                    |                    |                    |                    |                    |
|                                  |                     |                   | 5 psi (34 kPa)                    | 10 psi (69 kPa)    | 20 psi (138 kPa)   | 25 psi (172 kPa)   | 30 psi (207 kPa)   | 45 psi (310 kPa)   |
| 7-700                            | 0.5 gpm (1.9 L/min) | 13 gpm (49 L/min) | 25 gpm (95 L/min)                 | 43 gpm (163 L/min) | 57 gpm (216 L/min) | 62 gpm (235 L/min) | 66 gpm (250 L/min) | 77 gpm (292 L/min) |

\*Minimum flow rate when valve is installed at or near the hot water source with recirculated tempered water and continuously operating circulating pump.

## Dimensions



| TempControl Valve Sizes |                  |        |
|-------------------------|------------------|--------|
| Model No.               | Inlet            | Outlet |
| 7-700                   | 1-1/4"           | 1-1/2" |
| Measurements            |                  |        |
| A                       | 1/2", 13 mm      |        |
| B                       | 1-15/16", 49 mm  |        |
| C                       | 9-13/16", 243 mm |        |
| D                       | 7-11/16", 195 mm |        |
| E                       | 2-15/16", 75 mm  |        |
| F                       | 4-7/8", 124 mm   |        |
| G                       | 1-15/16", 49 mm  |        |
| H                       | 1-5/16", 33 mm   |        |

**Note:** Dimensions subject to change without notice.