



SLC5512PP
Lavatory Faucet

Operation & Maintenance Manual

Model Numbers

- **SLC5512PP**
Centerset Lavatory Faucet with A Push Pop Drain Assembly

Feature Highlights

- 4 inch centerset lavatory faucet with lever handles
- Commercial grade 1/4 turn ceramic disc valve cartridge for drip free performance
- 1/2 inch IPS shanks
- Standard flow rate is 1.0 gpm (3.8 L/min)
- Optional lower flow rate restrictor available
- Polished chrome finish (standard)



Compliance

- ASME A112.18.1/CSA B125.1
- NSF/ANSI/CAN 61: Q<1, NSF/ANSI 372
- WaterSense 1.0 gpm



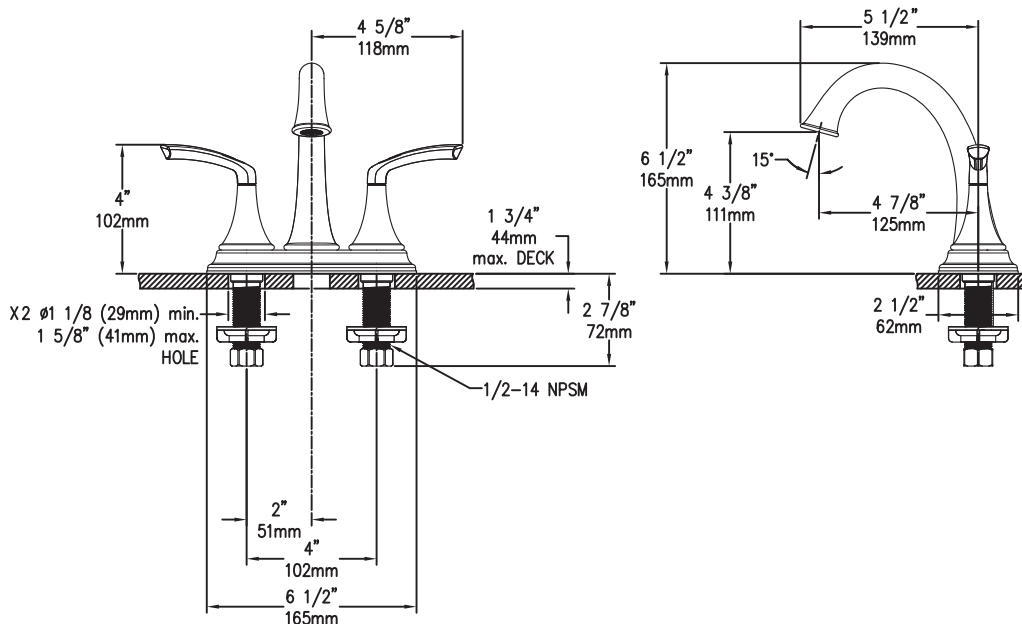
Warranty

Limited Lifetime - to the original end purchaser in consumer/residential installations.
10 Years - for commercial/industrial installations. Refer to www.symmons.com/warranty for complete warranty information.



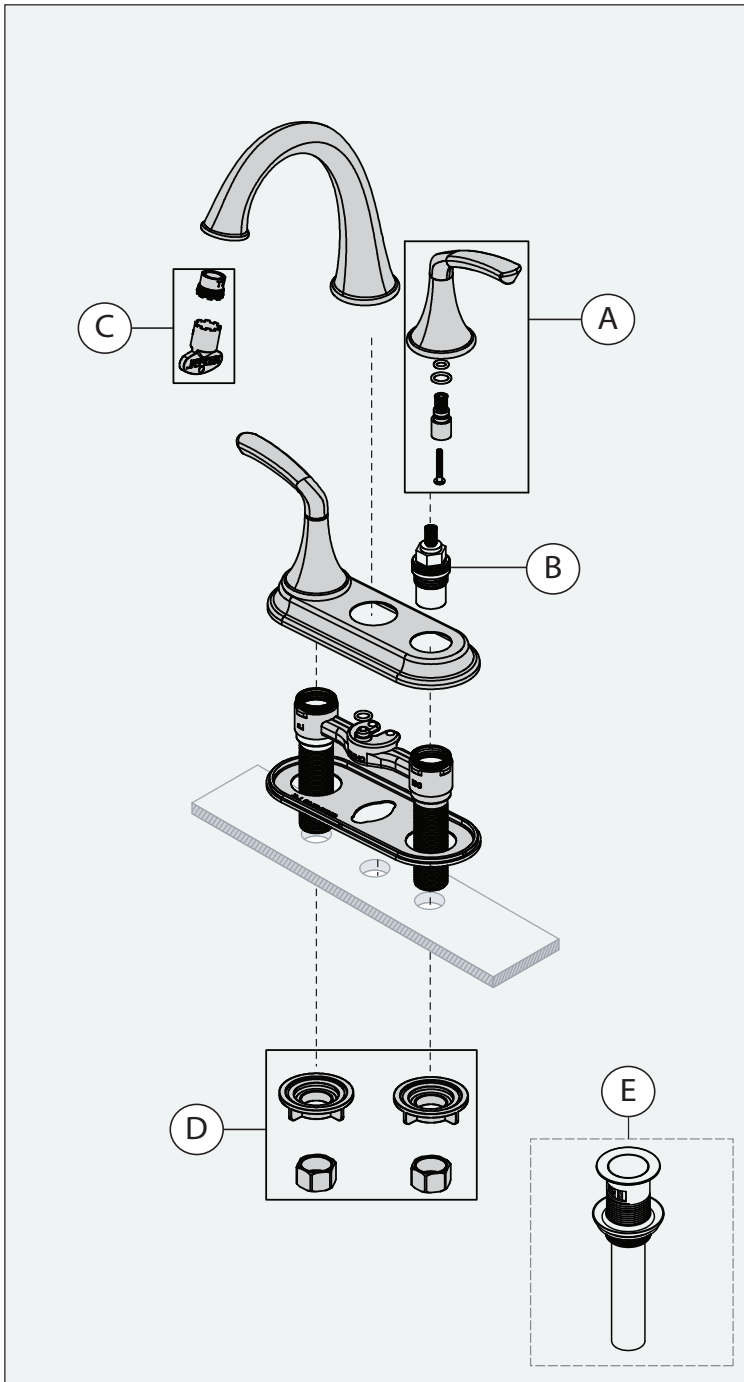
⚠ WARNING: This product can expose you to chemicals including lead, which is known to the state of California to cause cancer, birth defects, or other reproductive harm. For more information, go to www.P65Warnings.ca.gov.

Dimensions







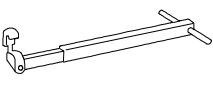

Note: Dimensions subject to change without notice.

Parts Breakdown





Replacement Parts		
Item	Description	Part Number
A	Handle Kit	RL-021*
B	Temperature Cartridge	KN-114 Cartridge H KN-113 Cartridge C
C	Aerator and Wrench(2.2) Aerator and Wrench(1.5) Aerator and Wrench(0.5)	LN-333-KIT FLR-102-1.5-KIT FLR-102-0.5
D	Mounting Hardware	RL-020
E	Push Pop Drain Assembly	RL324*

***Note:** Append STN to part number for Satin Nickel finish.

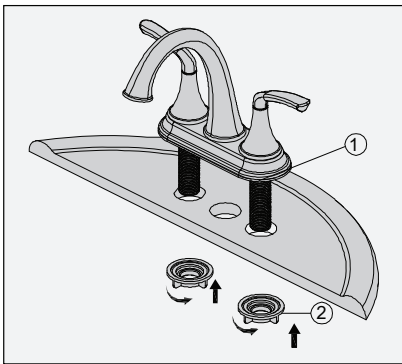
Tools Required	
Adjustable Wrench	
Plumber Putty	
Plumber Tape	
(2) 1/2 in Supply Lines	
Basin Wrench	
Goggles	

Installation

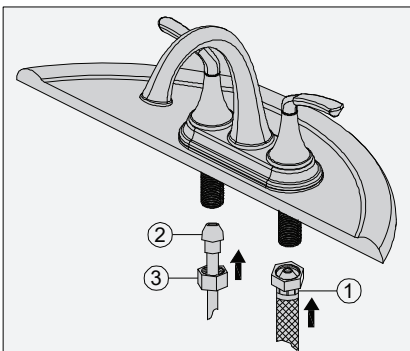
 If replacing an older faucet ensure water supply is turned OFF before removing, then turn faucet control valve ON to relieve water pressure.

 DO NOT use pipe dope or thread sealant on drain assembly, or any plastic threaded components.

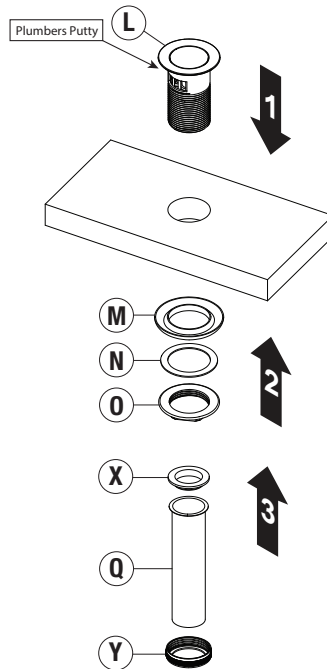
- 1) Shut off water supplies. Remove old faucet. Place gasket (1) on bottom of new faucet. Place faucet through mounting holes in sink. Secure faucet to sink using mounting nuts (2) provided.



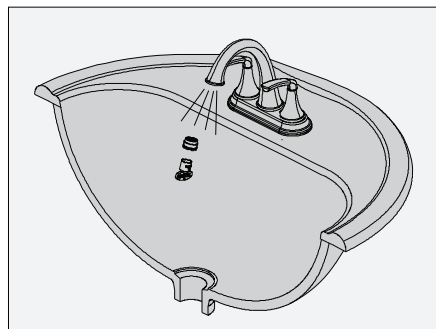
- 2) Make connections to water lines. Use 1/2" IPS faucet connections (1) or use the supplied coupling nuts (3) with 3/8" O.D. ball-nose risers (2). Use wrenches to tighten connections. **DO NOT** overtighten.



- 3) **Push Pop Install:** Insert drain body (L) into drain opening. From below, Tighten locking nut (O) with gasket (M) and washer (N) to flange. Tighten tail nut (Y) with washer (X) to secure tail pipe (Q). **DO NOT** overtighten.



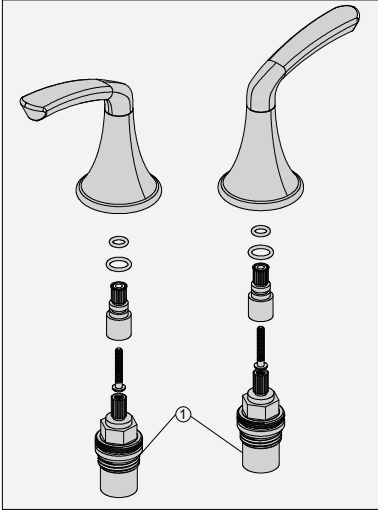
- 4) Important: After installation is completed, remove aerator. Turn on water supply and allow both hot and cold water to run for at least one minute each. While water is running, check for leaks. Replace aerator.



Maintenance

1) If faucet leaks from spout outlet shut off water supplies and replace cartridge (1).

Note: Install cartridge (1) correctly for proper handle rotation.



Troubleshooting Chart

Problem	Cause	Solution
Finish is spotting.	Elements in water supply may cause water staining on finish.	Clean finished trim area with a soft cloth using mild soap and water or a non-abrasive cleaner and then quickly rinse with water.