
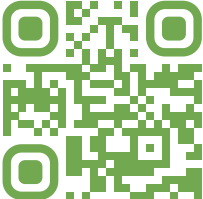




Location:

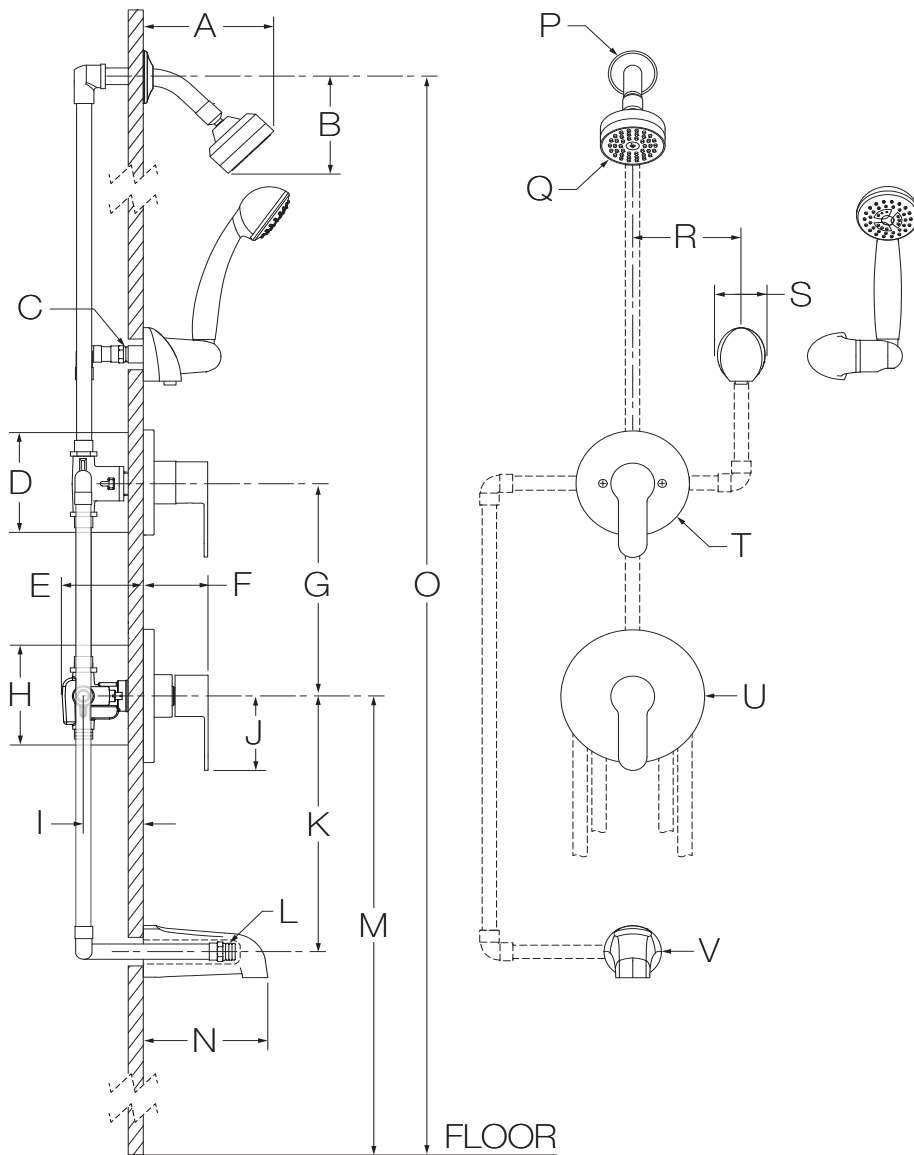


6706-TRM, 6706TRM Tub/Shower/Hand Shower Trim Specification Submittal



Feature Highlights	Options/Modifications
<ul style="list-style-type: none"> Identity Tub/Shower/Hand Shower Trim Requires Temptrol® Pressure Balancing Tub/Shower Valve Requires Symmons Triple Outlet Diverter Valve Metal lever handle Cradle for hand shower wand Dual checks for backflow protection 60" flexible metal hose 5-1/2" non-diverter tub spout 1 mode hand shower wand with easy to clean nozzles 1 mode showerhead with easy to clean nozzles 2.0 gpm (7.6 L/min) flow restrictors Components shall be metal and nonmetallic construction, plated in standard Polished Chrome finish Available with TA-10 flow control spindle and T-12A cap assembly for Temptrol valve bodies installed with Test Cap (order p/n 6706TRMTC) For optional in-line vacuum breaker order p/n EF-109 	<ul style="list-style-type: none"> <input type="checkbox"/> -1.5  1.5 gpm (5.7 L/min) flow restrictor <input type="checkbox"/> L1 Less showerhead <input type="checkbox"/> L2 Less hand shower wand <input type="checkbox"/> L3 Less showerhead & hand shower (head and wand only) <input type="checkbox"/> L4 Less head, arm and flange <input type="checkbox"/> L6 Less tub spout <input type="checkbox"/> L7 Less handle <input type="checkbox"/> TC Test Cap Trim <input type="checkbox"/> -STN Satin Nickel finish <input type="checkbox"/> -MB Matte Black finish <input type="checkbox"/> -BBZ Brushed Bronze finish
Model Numbers	Warranty
<ul style="list-style-type: none"> <input type="checkbox"/> 6706-TRM Tub/Shower/Hand Shower Trim, Temptrol Pressure Balancing Shower Valve order separately (modifiers include decimal points and hyphens) Note: To create sku, follow the format: Base SKU -> Finish -> Flow Rate (If lower than standard) -> TRM <input type="checkbox"/> 6706TRM Tub/Shower/Hand Shower Trim (use when ordering L1-L7 and TC modifications, do not use hyphens or decimal points) Note: To create sku, follow the format: Base SKU -> Finish -> Modifier (L1-L7) -> Flow Rate (If lower than standard) -> TRM -> TC 	<p>Limited Lifetime - to the original end purchaser in consumer/residential installations.</p> <p>10 Years - for commercial/industrial installations. Refer to www.symmons.com/warranty for complete warranty information.</p> 
Architectural/ Engineering Specification	Compliance
<p>Symmons Identity Tub and Shower and Hand Shower Trim _____ With Identity Tub and Shower and Hand Shower Trim, Requires Temptrol® Pressure Balancing Tub/Shower Valve, Requires Symmons Triple Outlet Diverter Valve, Metal level handle, Cradle for hand shower wand, Dual checks for backflow protection, 60" flexible metal hose, 5-1/2" diverter tub spout, 1 mode hand shower wand with easy to clean nozzles, 1 mode showerhead with easy to clean nozzles, 2.0 gpm (7.6 L/min) flow restrictor, Components shall be metal and nonmetallic construction, plated in standard Polished Chrome finish, Available with TA-10 flow control spindle and T-12A cap assembly for Temptrol valve bodies installed with Test Cap, For optional in-line vacuum breaker order p/n EF-109. 10 Year commercial Warranty. ASME A112.18.1/CSA B125.1, WaterSense 1.5 gpm and 2.0 gpm complaint. Available options include: "-1.5 - 1.5 gpm (5.7 L/min) flow restrictor", "L1 - Less showerhead", "L2 - Less hand shower wand", "L3 - Less showerhead & hand shower wand", "L4 - Less showerhead, shower arm & flange", "L6 - Less tub spout", "L7 - Less handle", "-STN - Satin nickel finish", and "TC - Test Cap Trim", "-MB - Matte Black finish", "-BBZ - Brushed Bronze finish".</p>	<ul style="list-style-type: none"> ASME A112.18.1/CSA B125.1 WaterSense @ 1.5 gpm and 2.0 gpm (does not apply to L3 modification)  

Dimensions



Measurements	
A	5-7/8", 149 mm
B	4-5/8", 117 mm
C	Male 1/2" NPT fitting must be recessed 1/4" (6 mm) from finished wall
D	Diverter Valve Hole Size Min. Ø 3", 76 mm Max. Ø 3-1/4", 83 mm
E	3-1/2", 89 mm
F	2-7/8", 73 mm
G	Ref. 10", 254 mm
H	Shower Valve Hole Size Min. Ø 3", 76 mm Max. Ø 4", 102 mm
I	Rough-in 2-3/8" ± 1/2", 60 mm ± 13 mm
J	3-1/2", 89 mm
K	Ref. 12", 305 mm
L	Male 1/2-14 NPT fitting must protrude 4" (102 mm) from finished wall
M	Ref. 32", 813 mm
N	5-1/2", 140 mm
O	Ref. 77", 1956 mm
P	Ø 2-1/2", 64 mm
Q	Ø 3-1/8", 79 mm
R	6", 152 mm
S	2-1/8", 54 mm
T	Ø 5", 127 mm
U	Ø 6-3/8", 162 mm
V	Ø 2-1/2", 64 mm

Notes:

- 1) Valve body and piping not included and shown as reference only.
- 2) Plaster shield (p/n T-176) for dry wall, plaster or other type walls 1/2" or greater.
- 3) All dimensions measured from nominal rough-in (see I as reference).
- 4) Dimensions subject to change without notice.