





Location:



## Two Handle Widespread Lavatory Faucet Specification Submittal

<p><b>Model Numbers</b></p> <p><input type="checkbox"/> <b>SLW6712PP</b> Two Handle Widespread Lavatory Faucet with Push Pop Drain Assembly</p>	<p><b>Feature Highlights</b></p> <ul style="list-style-type: none"> <li>• Two handle widespread lavatory faucet features 8"-16" mount</li> <li>• Ceramic cartridges</li> <li>• 1/2" IPS inlet connections</li> <li>• Standard 1.0 gpm (3.8 L/min) aerator</li> <li>• Faucet constructed from brass</li> <li>• Plated in standard polished chrome finish</li> </ul>
<p><b>Options/ Modifications</b></p> <p><input type="checkbox"/> <b>STN</b>      <b>Satin Nickel finish</b></p> <p><input type="checkbox"/> <b>MB</b>        <b>Matte Black finish</b></p> <p><input type="checkbox"/> <b>BBZ</b>      <b>Brushed Bronze finish</b></p> <p><input type="checkbox"/> <b>05</b>        <b>0.5 gpm (1.9 L/min) aerator</b></p>	<p><b>Warranty</b></p> <p><b>Limited Lifetime</b> - to the original end purchaser in consumer/residential installations.</p> <p><b>10 Years</b> - for commercial/industrial installations. Refer to <a href="http://www.symmons.com/warranty">www.symmons.com/warranty</a> for complete warranty information.</p> 
<p><b>Compliance</b></p> <p>- ASME A112.18.1; CSA B125.1</p> <p>- NSF/ANSI/CAN 61: Q&lt;1, NSF/ANSI 372</p> <p>- WaterSense for 1.0 GPM Only</p> <p>- Lever handle meets ADA requirements</p> <p>- Push Pop meets ADA requirements for operation</p>   	

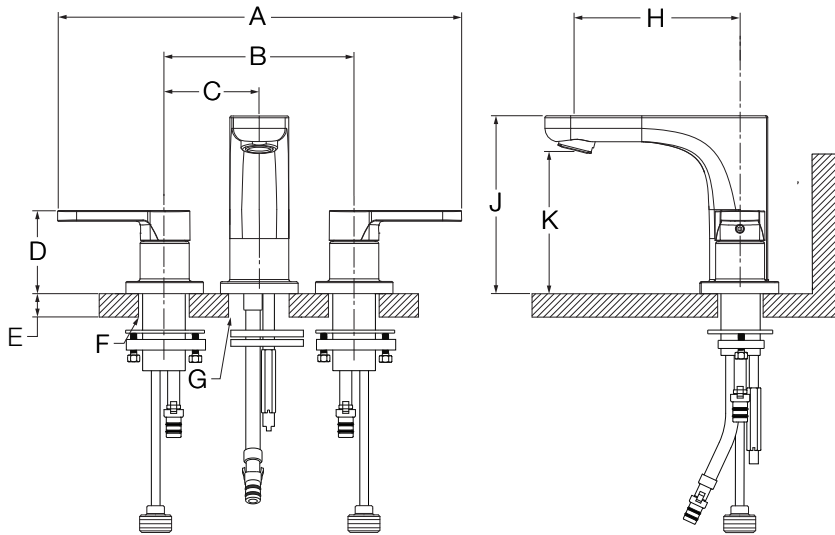
### SKU Builder

Series	Finish	PP	Flow Rate	Final SKU
SLW6712	STN	PP	05	SLW6712STNPP05
SLW6712		PP		SLW6712PP

### Architectural/ Engineering Specification

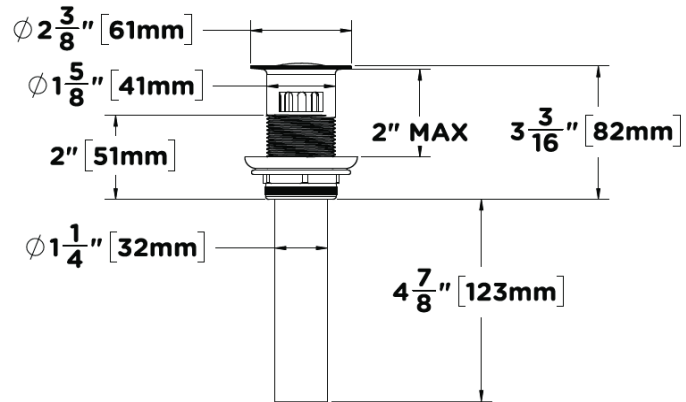
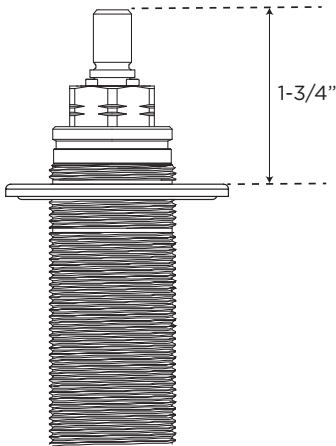
Symmons Identity Two Handle Widespread Lavatory Faucet \_\_\_\_\_ Includes Two handle widespread lavatory faucet features 8"-16" mount, Ceramic cartridges, 1/2" IPS inlet connections, Standard 1.0 gpm (3.8 L/min) aerator, Faucet constructed from brass, Plated in standard polished chrome finish. 10 Year Commercial Warranty. ASME A112.18.1/CSA B125.1, NSF/ANSI/CAN 61: Q<1, NSF/ANSI 372, WaterSense 1.0 gpm (3.8 L/min) compliant. Available options: "STN - Satin Nickel finish", "MB - Matte Black finish", "BBZ - Brushed Bronze finish", "05 - 0.5 gpm (1.9 L/min) aerator".

## Dimensions



**Note:** Dimensions subject to change without notice.

Measurements	
<b>A</b>	13-1/2", 343 mm
<b>B</b>	8", 203 mm
<b>C</b>	4", 102 mm
<b>D</b>	(2x) 2-1/8", 54 mm
<b>E</b>	Deck Thickness Ref. Min. 5/8", 16 mm Max. 1-3/8", 35 mm
<b>F</b>	(2x) Hole Size Min. Ø 1-1/4", 32 mm Max. Ø 1-1/2", 38 mm
<b>G</b>	Hole Size Min. Ø 1-3/8", 35 mm Max. Ø 1-5/8", 41 mm
<b>H</b>	4-5/16", 110 mm
<b>J</b>	4-5/8", 117 mm
<b>K</b>	3-5/8", 92 mm



**Note:**  
Flange to be set to 1-3/4"