

Hyatt Place/Hyatt House Brand Standard

Tub/Shower/Handheld

VERSION

A



- Design & Dimensions subject to change
- Consult your Symmons Sales Representative for Timeline

REQUIRES:
 46-2X-BODY, 3DIV-BODY

"THIS DOCUMENT CONTAINS PROPRIETARY INFORMATION OF SYMMONS INDUSTRIES, INC. AND NEITHER THIS DOCUMENT OR ANY OF SAID PROPRIETARY INFORMATION SHALL BE PUBLISHED, REPRODUCED, COPIED, DISCLOSED OR USED FOR ANY PURPOSE WITHOUT THE EXPRESS WRITTEN PERMISSION OF A DULY AUTHORIZED REPRESENTATIVE OF SYMMONS INDUSTRIES, INC."

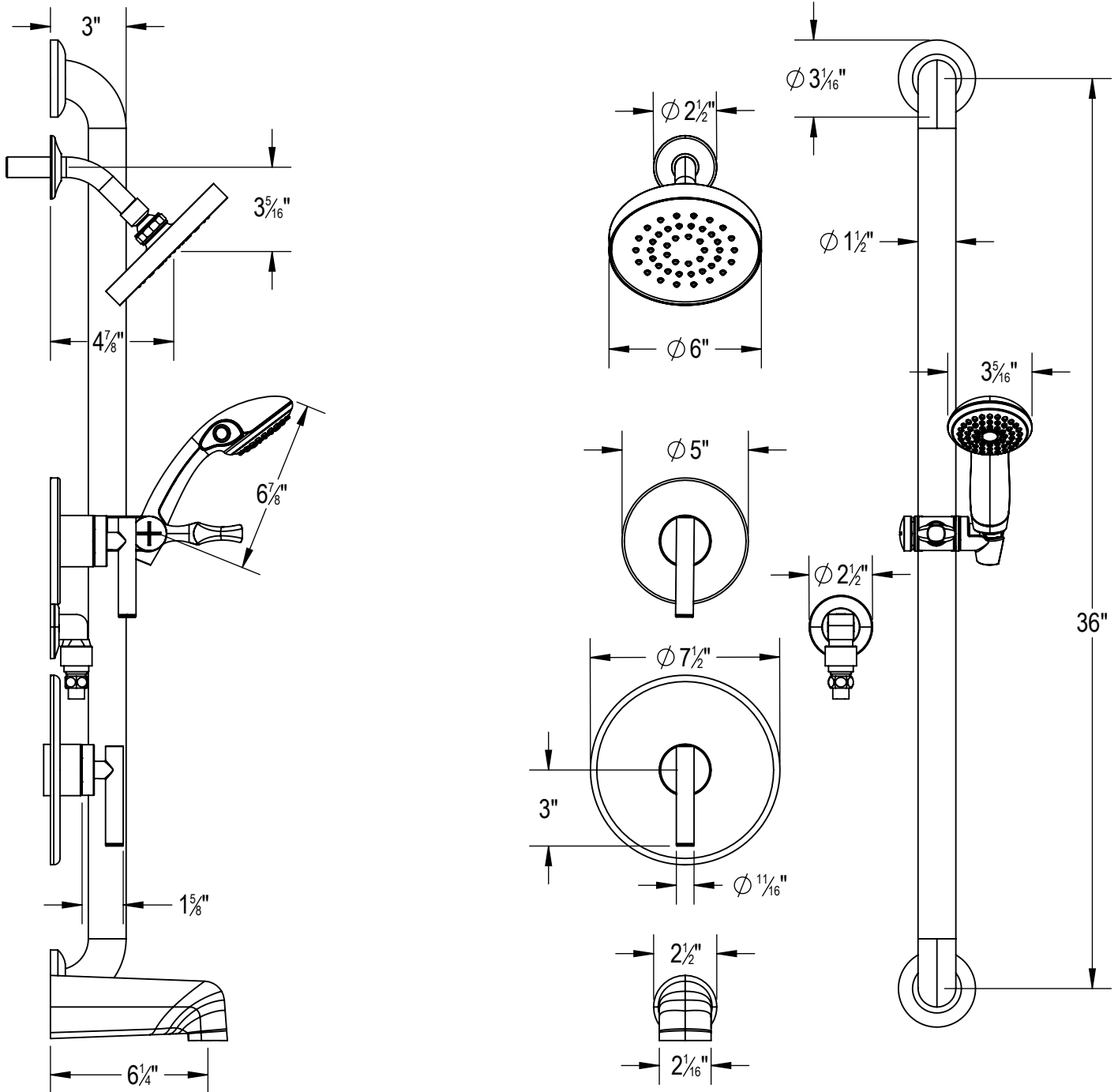
PRODUCT NAME:
 Tub/Shower/Handheld

ADDITIONAL NOTE:

DATE	SYMMONS MODEL#
8-30-2017	0488-3506-CYL-T736-2.0TRM

VERSION:	FINISH:
A	Polished Chrome

Approved by:	Approval Date:	Approval Signature:
--------------	----------------	---------------------



<ul style="list-style-type: none"> • Design & Dimensions subject to change • Consult your Symmons Sales Representative for Timeline 		REQUIRES: 46-2X-BODY, 3DIV-BODY		<p>THIS DOCUMENT CONTAINS PROPRIETARY INFORMATION OF SYMMONS INDUSTRIES, INC. AND NEITHER THIS DOCUMENT OR ANY OF SAID PROPRIETARY INFORMATION SHALL BE PUBLISHED, REPRODUCED, COPIED, DISCLOSED OR USED FOR ANY PURPOSE WITHOUT THE EXPRESS WRITTEN PERMISSION OF A DULY AUTHORIZED REPRESENTATIVE OF SYMMONS INDUSTRIES, INC.</p> <p>SYMMONS[®] SYMMONS INDUSTRIES 31 BROOKS DRIVE BRAINTREE, MA 02184 1-800-SYMMONS www.symmons.com</p>
PRODUCT NAME: Tub/Shower/Handheld		ADDITIONAL NOTE:		
DATE 8-30-2017	SYMMONS MODEL# 0488-3506-CYL-T736-2.OTRM	VERSION: A	FINISH: Polished Chrome	
Approved by:		Approval Date:	Approval Signature:	