

5691TRM
Shower Trim
Specification Submittal

Location:


Model Numbers

- 5691TRM**
Tub/Shower Trim

Valve Options:

-261 Series Temptrol Shower Valve with TRM modifier
-161 Series Temptrol Shower valve requires TC modifier

Options/Modifications

- 15**  1.5 gpm (5.7 L/min) flow restrictor
- L1** Less showerhead
- L7** Less handle
- TC** Test Cap Trim (includes TA-10&T-12A) used with 161 series Temptrol Valve
- BBZ** Brushed Bronze finish
- MB** Matte Black finish
- STN** Satin Nickel finish

Note: Append appropriate suffix to model number.

Compliance

- ASME A112.18.1/CSA B125.1.
- WaterSense 1.5 gpm (5.7 L/min) 2.0 gpm (7.6 L/min).
- Lever handle meets ADA requirements for operation.



Feature Highlights

- Oak Shower Trim.
- Requires Temptrol® Pressure Balancing Shower Valve.
- Metal lever handle.
- Single-Mode HydroMersion™ showerhead.
- 2.0 gpm (7.6 L/min) flow restrictor.
- Components are made from metal and nonmetal materials, plated in standard Polished Chrome finish.

Warranty

Limited Lifetime - for residential installations.
10 Years - for commercial/industrial installations.
Refer to www.symmons.com/warranty for complete warranty information.



SKU Builder

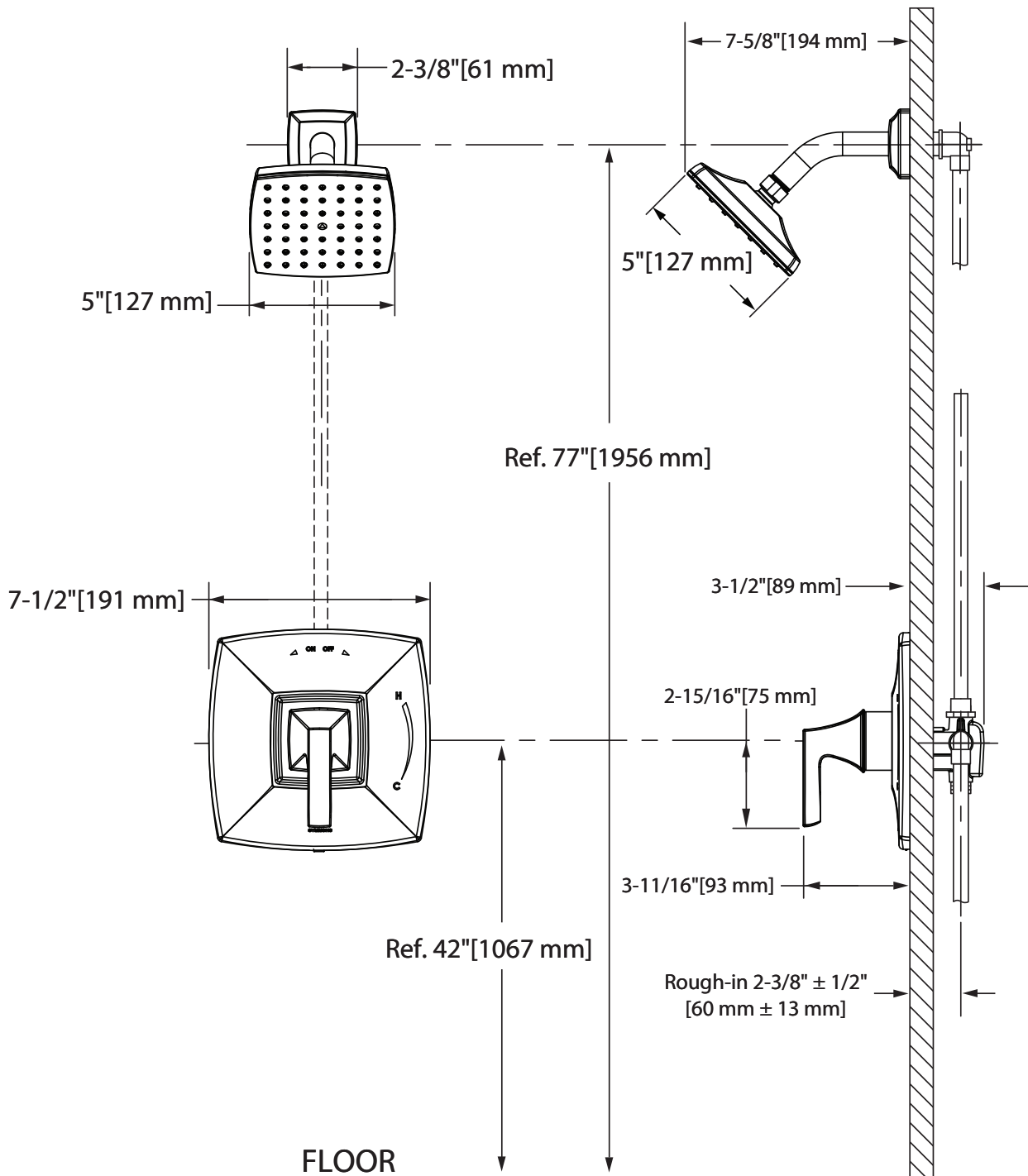
Series	Finish	Modifier	Flow Rate	TRM (required)	TC	Final SKU
5691	MB	L1		TRM	TC	5691MBL1TRMTC
5691	MB			TRM		5691MBTRM

Note: No more than two modifiers (L1-L7) permitted when ordering. Modifiers will list in numerical order.

Architectural/Engineering Specification

Symmons Oak Shower Trim _____ Includes Oak Shower Trim powered by Temptrol® Pressure Balancing Shower Valve, metal lever handle, single-mode HydroMersion showerhead, and 2.0 gpm (7.6 L/min) flow restrictor. Components are made from metal and nonmetal materials, plated in standard Polished Chrome finish. 10 Year Commercial Warranty. ASME A112.18.1/CSA B125.1, WaterSense 1.5 gpm (5.7 L/min), 2.0 gpm (7.6 L/min) compliant. Lever handle meets ADA requirements for operation. Available options: 15 = 1.5 gpm (5.7 L/min) flow restrictor, L1 = Less showerhead, L7 = Less handle, TC = Test Cap Trim, BBZ = Brushed Bronze finish, MB = Matte Black finish and STN = Satin Nickel finish.

Dimensions



Notes:

- 1) Valve body and piping not included and shown as reference only.
- 2) Plaster shield (p/n T-176) for dry wall, plaster or other type walls 1/2" or greater.
- 3) All dimensions measured from nominal rough-in (see 2-3/8" ± 1/2" [60 mm ± 13 mm] as reference).
- 4) Dimensions subject to change without notice.