

Location:




S-5402-TRM, S5402TRMTC  
Tub/Shower Trim  
Specification Submittal

**Feature Highlights**

- Degas Tub/Shower Trim
- Requires Temptrol® Pressure Balancing Tub/Shower Valve
- Integral diverter control
- Metal lever handle
- 8-1/16" non-diverter tub spout
- 1 mode showerhead
- 2.0 gpm (7.6 L/min) flow restrictor
- Components shall be metal and nonmetallic construction, plated in standard Polished Chrome finish
- Available with TA-10 flow control spindle and T-12A cap assembly for Temptrol valve bodies installed with Test Cap (order p/n S5402TRMTC)

**Options/Modifications**

- 1.5**  **1.5 gpm (5.7 L/min) flow restrictor**
- L1** **Less showerhead**
- STN** **Satin Nickel finish**

**Note:** Append appropriate -suffix to model number.

**Compliance**

- ASME A112.18.1/CSA B125.1



**Model Numbers**

- S-5402-TRM**  
Tub/Shower Trim with integral diverter control, Temptrol Pressure Balancing Tub/Shower Valve ordered separately
- S5402TRMTC**  
Tub/Shower Trim with integral diverter control, TA-10 flow control spindle and T-12A cap assembly, must order Temptrol valve with Test Cap

**Warranty**

**Limited Lifetime** - to the original end purchaser in consumer/residential installations.

**10 Years** - for commercial/industrial installations. Refer to [www.symmons.com/warranty](http://www.symmons.com/warranty) for complete warranty information.

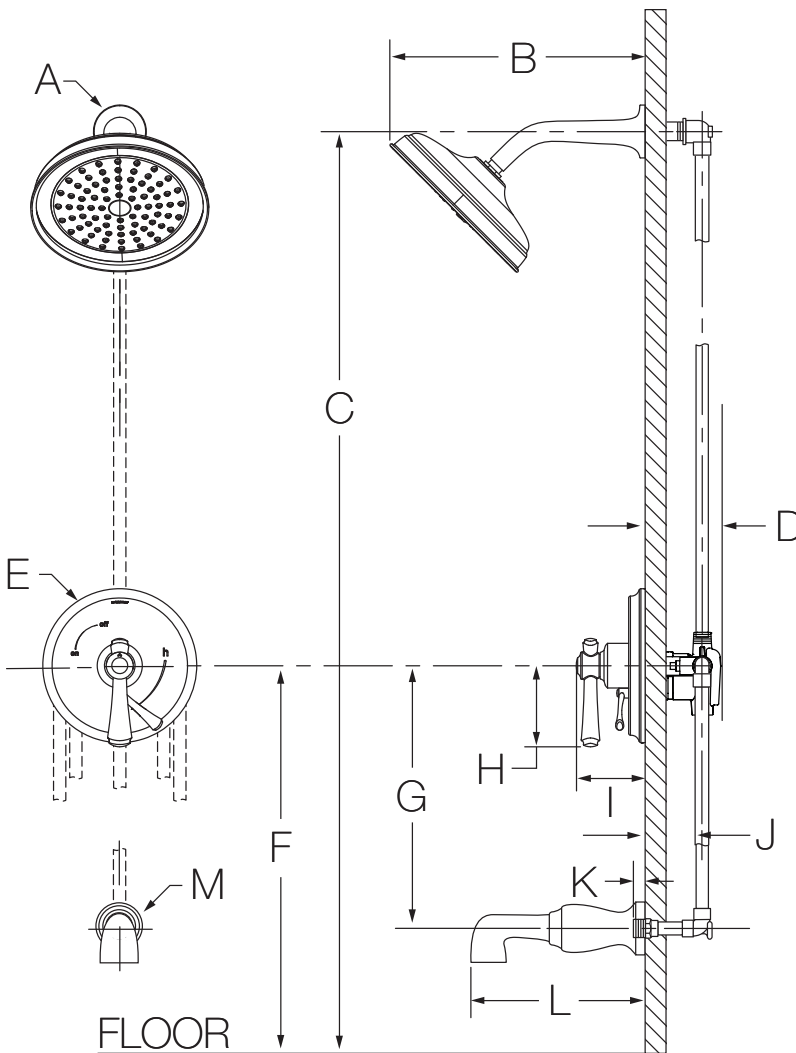


**Architectural/ Engineering Specification**

Symmons \_\_\_\_\_ With Degas Shower/Hand Shower Trim, requires Temptrol® pressure balancing Tub/shower valve, Integral diverter control, metal lever handle, 8-1/16" non-diverter tub spout, 1 mode showerhead, 2.0 gpm (7.6L/min) flow restrictor, tub spout not included, components shall be metal and nonmetallic construction, plated in standard Polished Chrome finish, available with TA-10 flow control spindle and T-12A cap assembly for Temptrol valve bodies installed with Test Cap (order p/n 5401TRMTC), for optional in-line vacuum breaker order p/n EF-109. 10 Year commercial Warranty. ASME A112.18.1/CSA B125.1, Complaint. Available options include: "1.5 - 1.5 gpm (5.7 L/min) flow restrictor", "L1 - Less showerhead", "STN - Satin Nickel finish".

S-5402-TRM, S5402TRMTC

## Dimensions



Measurements	
A	Ø 2-1/2", 64 mm
B	12-1/8", 308 mm
C	Ref. 77", 1956 mm
D	3-1/2", 89 mm
E	Ø 7", 178 mm
F	Ref. 32", 813 mm
G	Ref. 12", 305 mm
H	3-3/4", 95 mm
I	4-1/4", 108 mm
J	Rough-in 2-3/8" ± 1/2", 60 mm ± 13 mm
K	Male 1/2-14 NPT fitting must protrude 1/2" (13 mm) from finished wall
L	8-1/16", 205 mm
M	Ø 2-1/2", 64 mm

### Notes:

- 1) Valve body and piping not included and shown as reference only.
- 2) Plaster shield (p/n T-176) for dry wall, plaster or other type walls 1/2" or greater.
- 3) All dimensions measured from nominal rough-in (see J as reference).
- 4) Dimensions subject to change without notice.