





# Location:



S-6601-TRM, S6601TRMTC  
Shower Trim  
Specification Submittal

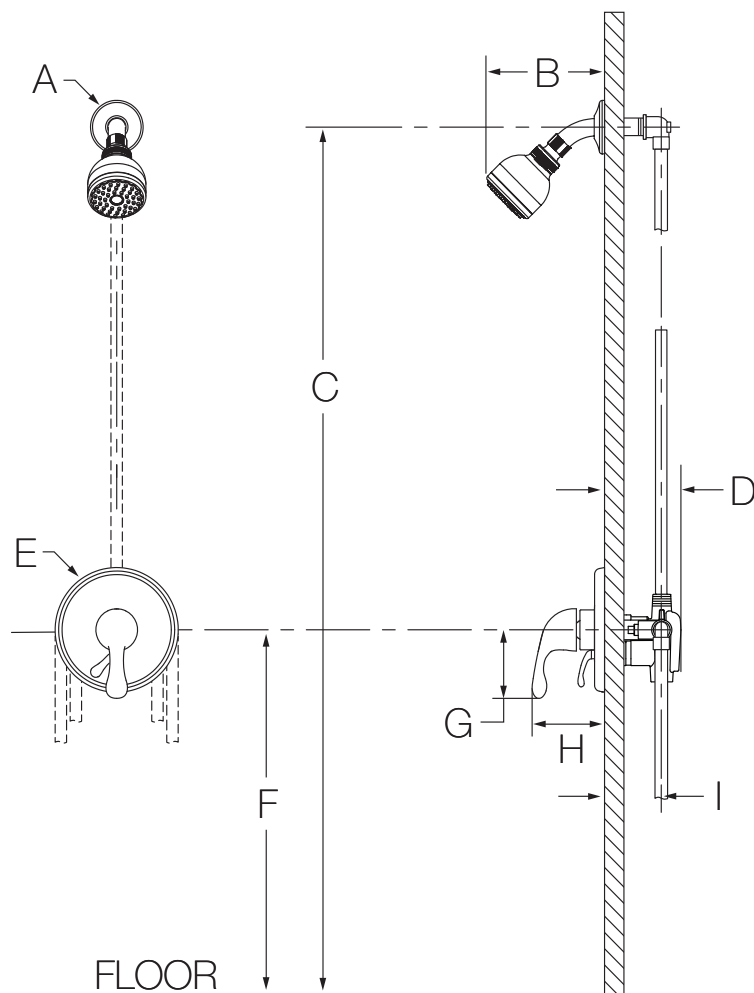


Feature Highlights	Options/Modifications
<ul style="list-style-type: none"> <li>• Unity Shower Trim</li> <li>• Requires Temptrol® Pressure Balancing Shower Valve</li> <li>• Integral volume control</li> <li>• Metal lever handle</li> <li>• 1 mode showerhead with easy to clean nozzles</li> <li>• 2.0 gpm (7.6 L/min) flow restrictor</li> <li>• Tub spout not included</li> <li>• Components shall be metal and nonmetallic construction, plated in standard Polished Chrome finish</li> <li>• Available with TA-10 flow control spindle and T-12A cap assembly for Temptrol valve bodies installed with Test Cap (order p/n S6601TRMTC)</li> </ul>	<ul style="list-style-type: none"> <li><input type="checkbox"/> <b>1.5</b>  1.5 gpm (5.7 L/min) flow restrictor</li> <li><input type="checkbox"/> <b>L1</b> Less showerhead</li> <li><input type="checkbox"/> <b>L4</b> Less head, arm and flange</li> <li><input type="checkbox"/> <b>L7</b> Less handle</li> <li><input type="checkbox"/> <b>STN</b> Satin Nickel finish</li> </ul> <p><b>Note:</b> Append appropriate -suffix to model number.</p>
Model Numbers	Compliance
<ul style="list-style-type: none"> <li><input type="checkbox"/> <b>S-6601-TRM</b> Shower Trim with integral volume control, Temptrol Pressure Balancing Shower Valve ordered separately</li> <li><input type="checkbox"/> <b>S6601TRMTC</b> Shower Trim with integral volume control, TA-10 flow control spindle and T-12A cap assembly, must order Temptrol valve with Test Cap</li> </ul>	<ul style="list-style-type: none"> <li>• ASME A112.18.1/CSA B125.1</li> <li>• WaterSense 1.5 gpm (5.7 L/min) 2.0 gpm (7.6 L/min)</li> </ul> <div style="text-align: right;">   </div>
Warranty	
<p><b>Limited Lifetime</b> - to the original end purchaser in consumer/residential installations.</p> <p><b>10 Years</b> - for commercial/industrial installations. Refer to <a href="http://www.symmons.com/warranty">www.symmons.com/warranty</a> for complete warranty information.</p> 	

## Architectural/ Engineering Specification

Symmons \_\_\_\_\_ With Unity Shower Trim, Requires Temptrol® Pressure Balancing Shower Valve, Integral volume control, Metal lever handle, 1 mode showerhead with easy to clean nozzles, 2.0 gpm (7.6 L/min) flow restrictor, Tub spout not included, components shall be metal and nonmetallic construction, plated in standard Polished Chrome finish, Available with TA-10 flow control spindle and T-12A cap assembly for Temptrol valve bodies installed with Test Cap (order p/n S6601TRMTC). 10 Year commercial Warranty. ASME A112.18.1/CSA B125.1, WaterSense 1.5 gpm (5.7 L/min), 2.0 gpm (7.6 L/min) Complaint. Available options include "1.5 - 1.5 gpm (5.7 L/min) flow restrictor", "L1 - Less showerhead", "L4 - Less head,arm and flange", "L7 - Less handle", "STN - Satin nickel finish".

## Dimensions



Measurements	
A	Ø 2-1/2", 64 mm
B	6-3/8", 162 mm
C	Ref. 77", 1956 mm
D	3-1/2", 89 mm
E	Ø 6-3/8", 162 mm
F	Ref. 42", 1067 mm
G	3-1/2", 89 mm
H	3-3/4", 95 mm
I	Rough-in 2-3/8" ± 1/2", 60 mm ± 13 mm

### Notes:

- 1) Valve body and piping not included and shown as reference only.
- 2) Plaster shield (p/n T-176) for dry wall, plaster or other type walls 1/2" or greater.
- 3) All dimensions measured from nominal rough-in (see I as reference).
- 4) Dimensions subject to change without notice.