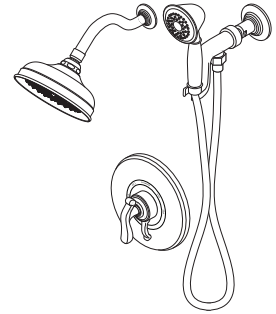







# SYMMONS® Winslet®

## Location:



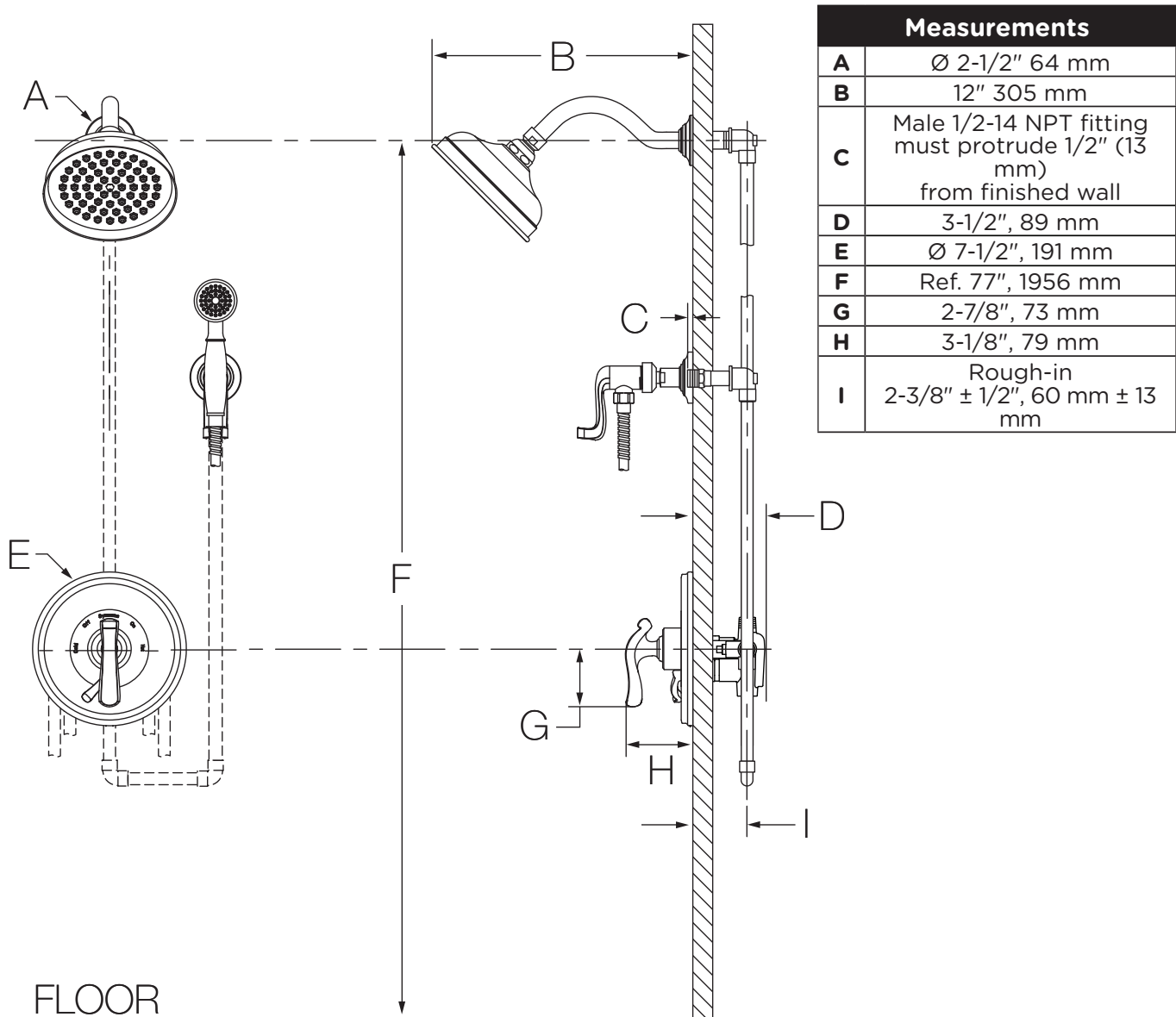
S5108TRM, S5108TRMTC  
Shower/Hand Shower Trim  
**Specification Submittal**

<p><b>Model Numbers</b></p> <p><input type="checkbox"/> <b>S5108TRM</b> Shower/Hand Shower Trim with integral diverter control, Temptrol Pressure Balancing Tub/Shower Valve ordered separately</p> <p><input type="checkbox"/> <b>S5108TRMTC</b> Shower/Hand Shower Trim with integral diverter control, TA-10 flow control spindle and T-12A cap assembly, must order Temptrol valve with Test Cap</p>	<p><b>Feature Highlights</b></p> <ul style="list-style-type: none"> <li>• Winslet Shower/Hand Shower Trim</li> <li>• Requires Temptrol® Pressure Balancing Tub/Shower Valve</li> <li>• Integral diverter control</li> <li>• Metal lever handle</li> <li>• Cradle for hand shower wand</li> <li>• 60" flexible metal hose</li> <li>• 1 mode hand shower</li> <li>• Dual checks for backflow protection</li> <li>• 1 mode showerhead</li> <li>• 2.0 gpm (7.6 L/min) flow restrictors</li> <li>• Tub spout not included</li> <li>• Components shall be metal and nonmetallic construction, plated in standard Polished Chrome finish</li> <li>• Available with TA-10 flow control spindle and T-12A cap assembly for Temptrol valve bodies installed with Test Cap (order p/n S5108TRMTC)</li> <li>• For optional in-line vacuum breaker order p/n EF-109</li> </ul>
<p><b>Options/ Modifications</b></p> <p><input type="checkbox"/> <b>1.5</b>  <b>1.5 gpm (5.7 L/min) flow restrictor</b></p> <p><input type="checkbox"/> <b>STN</b> <b>Satin Nickel finish</b></p> <p><input type="checkbox"/> <b>L1</b> <b>Less showerhead</b></p> <p><input type="checkbox"/> <b>L2</b> <b>Less hand shower wand</b></p> <p><input type="checkbox"/> <b>L4</b> <b>Less head, arm and flange</b></p> <p><input type="checkbox"/> <b>L5</b> <b>Less hand shower system (less bar/cradle, hose, wand and elbow)</b></p> <p><b>Note:</b> Append appropriate -suffix to model number.</p>	<p><b>Warranty</b></p> <p><b>Limited Lifetime</b> - to the original end purchaser in consumer/residential installations.</p> <p><b>10 Years</b> - for commercial/industrial installations. Refer to <a href="http://www.symmons.com/warranty">www.symmons.com/warranty</a> for complete warranty information.</p> 
<p><b>Compliance</b></p> <p>- ASME A112.18.1/CSA B125.1</p> 	

## Architectural/ Engineering Specification

Symmons Winslet Shower and Hand Shower Trim \_\_\_\_\_ Includes Winslet Shower and Hand Shower Trim, Requires Temptrol® Pressure Balancing Tub and Shower Valve, Integral diverter control, Metal lever handle, Cradle for hand shower wand, 60" flexible metal hose, 1 mode hand shower, Dual checks for backflow protection, 1 mode showerhead, 2.0 gpm (7.6 L/min) flow restrictors, Tub spout not included, Components shall be metal and nonmetallic construction, plated in standard Polished Chrome finish, Available with TA-10 flow control spindle and T-12A cap assembly for Temptrol valve bodies installed with Test Cap (order p/n S5108TRMTC), For optional in-line vacuum breaker order p/n EF-109. 10 Year Commercial Warranty. ASME A112.18.1/CSA B125.1 compliant. Available options: "1.5 - 1.5 gpm (5.7 L/min) flow restrictor", "STN - Satin Nickel finish", "L1 - Less showerhead", "L2 - Less hand shower wand", "L4 - Less head, arm and flange", "L5 - Less hand shower system (less bar/cradle, hose, wand and elbow)".

## Dimensions



### Notes:

- 1) Valve body and piping not included and shown as reference only.
- 2) Plaster shield (p/n T-176) for dry wall, plaster or other type walls 1/2" or greater.
- 3) All dimensions measured from nominal rough-in (see I as reference).
- 4) Dimensions subject to change without notice.