




# Location:



## S-5104-TRM, S5104TRMTC Tub/Hand Shower Trim Specification Submittal



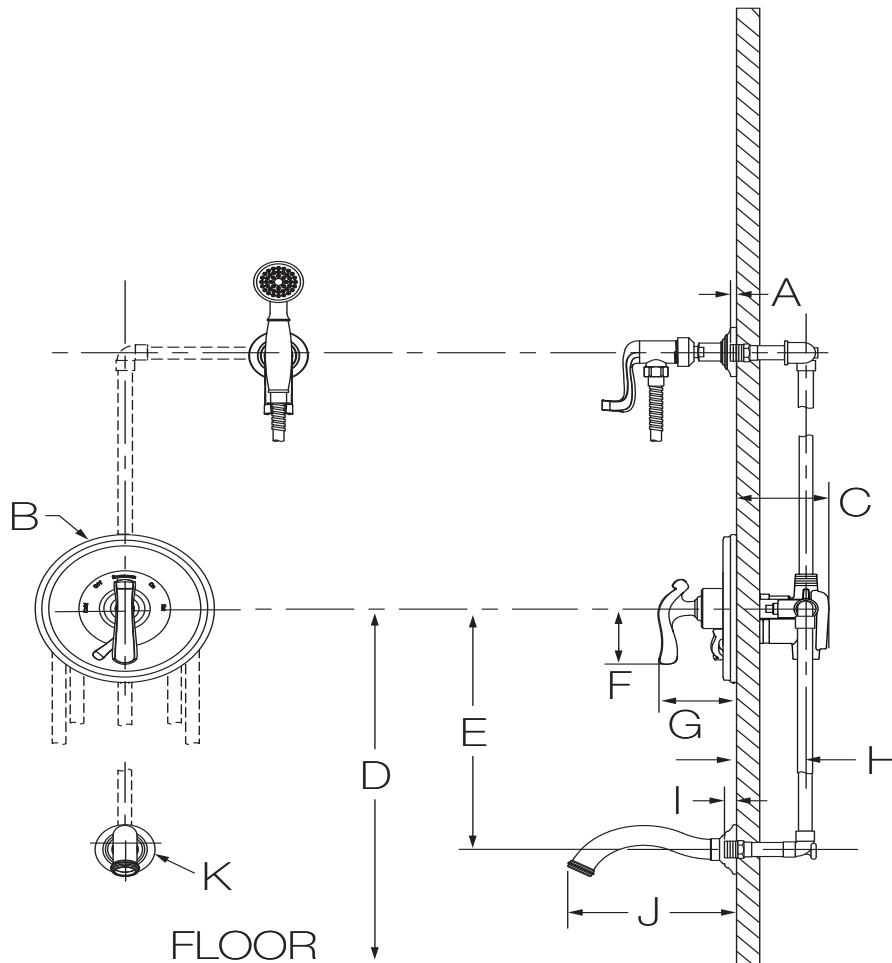
| Feature Highlights   | Options/Modifications   |
|--|---|
| <ul style="list-style-type: none"><li>Winslet Tub/Hand Shower Trim</li><li>Requires Temptrol® Pressure Balancing Tub/Shower Valve</li><li>Integral diverter control</li><li>Metal lever handle</li><li>7" non-diverter tub spout</li><li>Cradle for hand shower wand</li><li>60" flexible metal hose</li><li>1 mode hand shower</li><li>Dual checks for backflow protection</li><li>2.0 gpm (7.6 L/min) flow restrictor</li><li>Components shall be metal and nonmetallic construction, plated in standard Polished Chrome finish</li><li>Available with TA-10 flow control spindle and T-12A cap assembly for Temptrol valve bodies installed with Test Cap (order p/n S5104TRMTC)</li><li>For optional in-line vacuum breaker order p/n EF-109</li></ul> | <ul style="list-style-type: none"><li><input type="checkbox"/> <b>-1.5</b>  1.5 gpm (5.7 L/min) flow restrictor</li><li><input type="checkbox"/> <b>-L2</b> Less hand shower wand</li></ul> <p><b>Note:</b> Append appropriate -suffix to model number.</p>  |
|  | <h3>Compliance</h3> <ul style="list-style-type: none"><li>ASME A112.18.1/CSA B125.1</li></ul>    |
|  | <h3>Warranty</h3> <p><b>Limited Lifetime</b> - to the original end purchaser in consumer/residential installations.</p> <p><b>10 Years</b> - for commercial/industrial installations. Refer to <a href="http://www.symmons.com/warranty">www.symmons.com/warranty</a> for complete warranty information.</p>  |
| <h3>Model number</h3> <ul style="list-style-type: none"><li><input type="checkbox"/> <b>S-5104-TRM</b><br/>Tub/Hand Shower Trim with integral diverter control, Temptrol Pressure Balancing Tub/Shower Valve ordered separately</li><li><input type="checkbox"/> <b>S5104TRMTC</b><br/>Tub/Hand Shower Trim with integral diverter control, TA-10 flow control spindle and T-12A cap assembly, must order Temptrol valve with Test Cap</li></ul>   |   |

## Architectural/ Engineering Specification

Symmons Winslet \_\_\_\_\_ With Winslet Tub/Hand Shower Trim, Requires Temptrol® Pressure Balancing Tub/Shower Valve, Integral diverter control, Metal lever handle, 7" non-diverter tub spout, Cradle for hand shower wand, 60" flexible metal hose, 1 mode hand shower, Dual checks for backflow protection, 2.0 gpm (7.6 L/min) flow restrictor, Components shall be metal and nonmetallic construction, plated in standard Polished Chrome finish, Available with TA-10 flow control spindle and T-12A cap assembly for Temptrol valve bodies installed with Test Cap (order p/n S5104TRMTC) For optional in-line vacuum breaker order p/n EF-109, 10 Year commercial Warranty. ASME A112.18.1/CSA B125.1, complaint. Available options include: "1.5 - 1.5 gpm (5.7 L/min) flow restrictor", "L2 - Less hand shower wand".

S-5104-TRM, S5104TRMTC

## Dimension



| Measurements |   |
|--------------|---|
| <b>A</b>     | Male 1/2-14 NPT fitting must protrude 1/2" (13 mm) from finished wall |
| <b>B</b>     | Ø 7-1/2", 191 mm  |
| <b>C</b>     | 3-1/2", 89 mm   |
| <b>D</b>     | Ref. 32", 813 mm  |
| <b>E</b>     | Ref. 12", 305 mm  |
| <b>F</b>     | 2-7/8", 73 mm   |
| <b>G</b>     | 3-1/8", 79 mm   |
| <b>H</b>     | Rough-in 2-3/8" ± 1/2", 60 mm ± 13 mm                                 |
| <b>I</b>     | Male 1/2-14 NPT fitting must protrude 1/2" (13 mm) from finished wall |
| <b>J</b>     | 7", 178 mm  |
| <b>K</b>     | Ø 2-1/2" 64 mm  |

### Notes:

- 1) Valve body and piping not included and shown as reference only.
- 2) Plaster shield (p/n T-176) for dry wall, plaster or other type walls 1/2" or greater.
- 3) All dimensions measured from nominal rough-in (see H as reference).
- 4) Dimensions subject to change without notice.