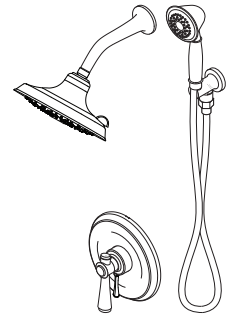





# Location:



## S5408TRM, S5408TRMTC Shower/Hand Shower Trim Specification Submittal

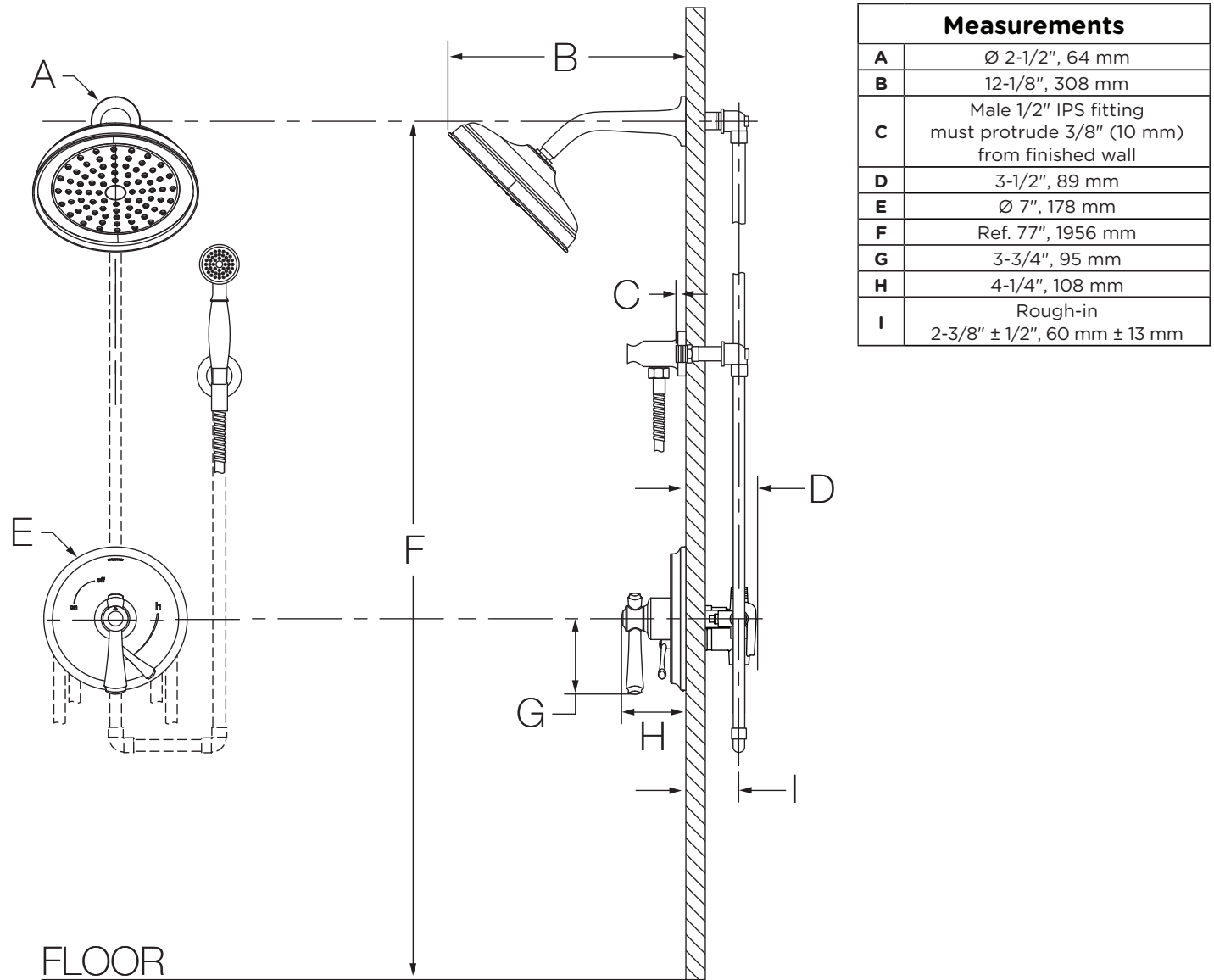
Feature Highlights	Options/Modifications
<ul style="list-style-type: none"> <li>Degas Shower/Hand Shower Trim</li> <li>Requires Temptrol® Pressure Balancing Tub/Shower Valve</li> <li>Integral diverter control</li> <li>Metal lever handle</li> <li>Cradle for hand shower wand</li> <li>60" flexible metal hose</li> <li>1 mode hand shower</li> <li>Dual checks for backflow protection</li> <li>1 mode showerhead</li> <li>2.0 gpm (7.6 L/min) flow restrictors</li> <li>Tub spout not included</li> <li>Components shall be metal and nonmetallic construction, plated in standard Polished Chrome finish</li> <li>Available with TA-10 flow control spindle and T-12A cap assembly for Temptrol valve bodies installed with Test Cap (order p/n S5408TRMTC)</li> <li>For optional in-line vacuum breaker order p/n EF-109</li> </ul>	<ul style="list-style-type: none"> <li><input type="checkbox"/> <b>-1.5</b>  <b>1.5 gpm (5.7 L/min) flow restrictor</b></li> <li><input type="checkbox"/> <b>-L1</b> <b>Less showerhead</b></li> <li><input type="checkbox"/> <b>-L2</b> <b>Less hand shower wand</b></li> <li><input type="checkbox"/> <b>-L3</b> <b>Less showerhead &amp; hand shower wand</b></li> <li><input type="checkbox"/> <b>-L4</b> <b>Less showerhead, arm &amp; flange</b></li> <li><input type="checkbox"/> <b>-L5</b> <b>Less hand shower system</b></li> <li><input type="checkbox"/> <b>-STN</b> <b>Satin Nickel finish</b></li> </ul> <p><b>Note:</b> Append appropriate -suffix to model number.</p>
<h3>Model Numbers</h3>	<h3>Compliance</h3> <ul style="list-style-type: none"> <li>ASME A112.18.1/CSA B125.1</li> </ul> 
<ul style="list-style-type: none"> <li><input type="checkbox"/> <b>S5408TRM</b> Shower/Hand Shower Trim with integral diverter control, Temptrol Pressure Balancing Tub/Shower Valve ordered separately</li> <li><input type="checkbox"/> <b>S5408TRMTC</b> Shower/Hand Shower Trim with integral diverter control, TA-10 flow control spindle and T-12A cap assembly, must order Temptrol valve with Test Cap</li> </ul>	<h3>Warranty</h3> <p><b>Limited Lifetime</b> - to the original end purchaser in consumer/residential installations.</p> <p><b>10 Years</b> - for commercial/industrial installations. Refer to <a href="http://www.symmons.com/warranty">www.symmons.com/warranty</a> for complete warranty information.</p> 

## Architectural/ Engineering Specification

Symmons \_\_\_\_\_ With Degas Shower/Hand Shower Trim, Requires Temptrol® pressure balancing Tub/Shower valve, Integral diverter control, metal lever handle, Cradle for hand shower wand, 60" flexible metal hose, 1 mode hand shower wand, Dual checks for backflow protection, 1 mode showerhead, 2.0 gpm (7.6 L/min) flow restrictor, tub spout not included, components shall be metal and nonmetallic construction, plated in standard Polished Chrome finish, available with TA-10 flow control spindle and T-12A cap assembly for Temptrol valve bodies installed with Test Cap (order p/n 5401TRMTC), for optional in-line vacuum breaker order p/n EF-109. 10 Year commercial Warranty. ASME A112.18.1/CSA B125.1, Complaint. Available options include: "1.5 - 1.5 gpm (5.7 L/min) flow restrictor", "L1 - Less showerhead", "L2 - Less hand shower wand", "L3 - Less showerhead & hand shower wand", "L4 - Less showerhead, arm & flange", "L5 - Less hand shower system", "STN - Satin nickel".

S5408TRM, S5408TRMTC

## Dimensions



### Notes:

- 1) Valve body and piping not included and shown as reference only.
- 2) Plaster shield (p/n T-176) for dry wall, plaster or other type walls 1/2" or greater.
- 3) All dimensions measured from nominal rough-in (see I as reference).
- 4) Dimensions subject to change without notice.