



Location:



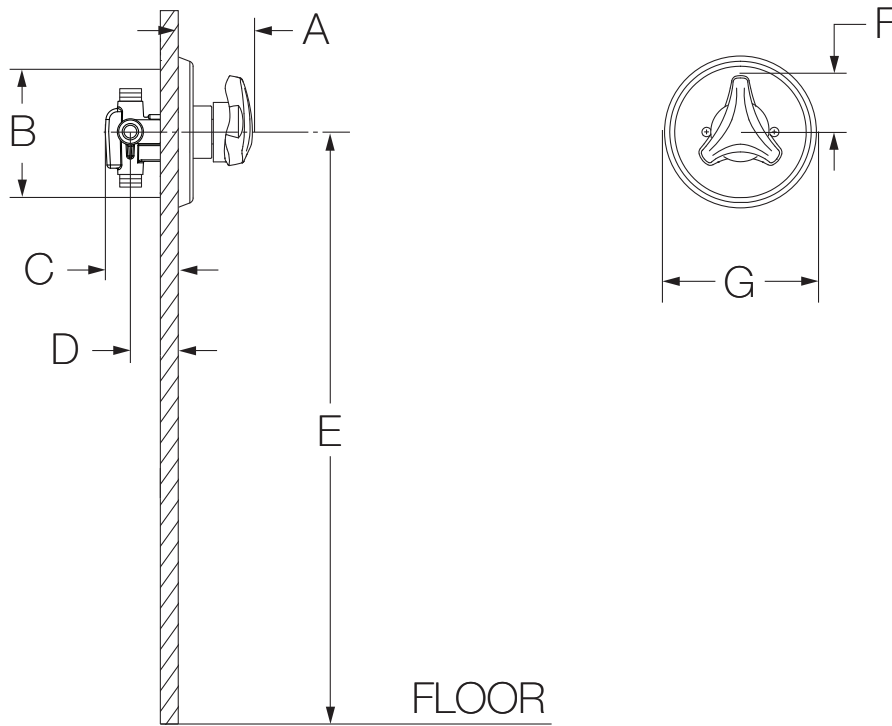
9600-P, 9600-P-TRM, 9600PTRMTC Shower Valve Trim Specification Submittal

<p>Feature Highlights</p> <ul style="list-style-type: none"> • Origins Shower Valve System or Trim • Requires Temptrol® Pressure Balancing Shower Valve (included with 9600-P) • Adjustable stop screw to limit handle turn (included with 9600-P) • Tri-star handle • Diverter tub spout not included • Showerhead not included • Components shall be metal and nonmetallic construction, plated in standard Polished Chrome finish • Available with TA-10 flow control spindle and T-12A cap assembly for Temptrol valve bodies installed with Test Cap (order p/n 9600PTRMTC) 	<p>Options/Modifications</p> <ul style="list-style-type: none"> <input type="checkbox"/> -B Brass escutcheon (chrome only) <input type="checkbox"/> -REB Rebuild trim kit, includes TA-10 and TA-4 <input type="checkbox"/> -VP Vandal resistant escutcheon screws in place of standard screws <input type="checkbox"/> -X Integral service stops - allows water shut-off at valve for service <input type="checkbox"/> -L7 Less handle <p>Note: Append appropriate -suffix to model number.</p>
<p>Model Numbers</p> <ul style="list-style-type: none"> <input type="checkbox"/> 9600-P Shower Valve Trim with Temptrol Pressure Balancing Shower Valve <input type="checkbox"/> 9600-P-TRM Shower Valve Trim, Temptrol Pressure Balancing Shower Valve ordered separately <input type="checkbox"/> 9600PTRMTC Shower Valve Trim with TA-10 flow control spindle and T-12A cap assembly, must order Temptrol valve with Test Cap <p>Note: -When ordering L1-L7 modifiers, remove hyphens from model number.</p>	<p>Warranty</p> <p>Limited Lifetime - to the original end purchaser in consumer/residential installations. 10 Years - for commercial/industrial installations. Refer to www.symmons.com/warranty for complete warranty information.</p> 
<p>Compliance</p> <ul style="list-style-type: none"> • ASME A112.18.1/CSA B125.1 • Buy American Act (9600-P only) 	

Architectural/ Engineering Specification

Symmons _____ With Origins Shower System or Trim, Requires Temptrol® Pressure Balancing Shower Valve (included with 9600-P), Adjustable stop screw to limit handle turn (included with 9600-P), Integral volume control, Tri-star handle, 1 mode, Diverter tub spout not included, Components shall be metal and nonmetallic construction, plated in standard Polished Chrome finish, Available with TA-10 flow control spindle and T-12A cap assembly for Temptrol valve bodies installed with Test Cap (order p/n 9600PTRMTC), 10 Year Commercial Warranty. ASME A112.18.1/CSA B125.1, complaint. Available options include: "L7 - Less handle", "B - Brass escutcheon (chrome only)", "X - Integral service stops - allows water shut-off at valve for service", "VP - Vandal resistant escutcheon screws in place of standard screws", "REB -Rebuild trim kit, includes TA-10 and TA-4".

Dimensions



Measurements	
A	2-7/8", 73 mm
B	Shower Valve Hole Size Min. Ø 3", 76 mm Max. Ø 4", 102 mm
C	3-1/2", 89 mm
D	Rough-in 2-3/8" ± 1/2", 60 mm ± 13 mm
E	Ref. 42", 1067 mm
F	2-1/8", 54 mm
G	Ø 5-3/4", 146 mm

Notes:

- 1) Valve body and piping not included and shown as reference only.
- 2) Plaster shield (p/n T-176) for dry wall, plaster or other type walls 1/2" or greater.
- 3) All dimensions measured from nominal rough-in (see D as reference).
- 4) Dimensions subject to change without notice.