

Location:



4-295 Institutional Showerhead Specification Submittal



Model Numbers

- 4-295** Showerhead at 30 degree spray angle with mounting bracket and fasteners

Options/ Modifications

- A** Anchor plate for use with ceramic tile
- 1.5**  **1.5 (5.7 L/min) Flow rate restrictor**

Note: Append appropriate -suffix to model number.

Compliance

- ASME A112.18.1/CSA B125.1
- WaterSense 1.5 gpm



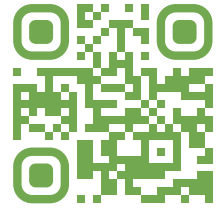
Feature Highlights

- Single mode showerhead at 30 degree spray angle
- Adjustable spray pattern
- Vandal resistant
- Standard flow rate is 2.0 gpm (7.6 L/min)
- Polished Chrome finish
- Solid Brass Construction

Warranty

Limited Lifetime - to the original end purchaser in consumer/residential installations.

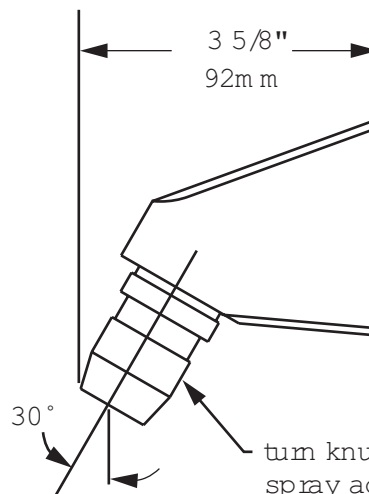
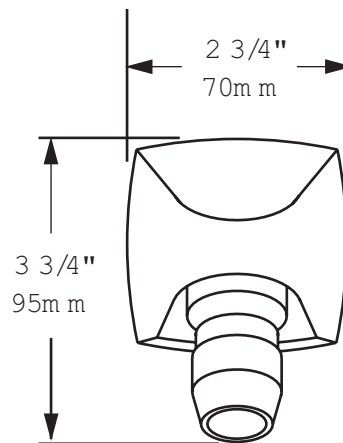
10 Years - for commercial/industrial installations. Refer to www.symmons.com/warranty for complete warranty information.



Architectural/ Engineering Specification

Symmons Institutional Showerhead _____ Includes Single mode showerhead at 30 degree spray angle, Adjustable spray pattern, Vandal resistant, Standard flow rate is 2.0 gpm (7.6 L/min), Polished Chrome finish. 10 Year Commercial Warranty. ASME A112.18.1/CSA B125.1, WaterSense 1.5 gpm compliant. Available options: "A - Anchor plate for use with ceramic tile", "1.5 - 1.5 (5.7 L/min) Flow rate restrictor".

Dimensions



Note: Dimensions subject to change without notice.