

Location:



S-3501-CYL-B-TRM, S3501BTRM Shower Trim Specification Submittal

Feature Highlights

- Dia Shower Trim
- Requires Temptrol® Pressure Balancing Shower Valve
- Integral volume control
- Metal lever handle
- 1 mode showerhead
- 2.0 gpm (7.6 L/min) flow restrictor
- Tub spout not included
- Components shall be metal and nonmetallic construction, plated in standard Polished Chrome finish
- Available with TA-10 flow control spindle and T-12A cap assembly for Temptrol valve bodies installed with Test Cap (order p/n S3501CYLBTRMTC)

Model Numbers

- S-3501-CYL-B-TRM**
Tub/Shower System Trim (modifiers include decimal points and hyphens)
- S3501BTRM**
Tub/Shower System Trim (use when ordering L1-L7 and TC modification, do not use hyphens or decimal points)

Compliance

- ASME A112.18.1/CSA B125.1
- WaterSense 1.5 gpm (5.7 L/min)
2.0 gpm (7.6 L/min)



Options/Modifications

- 1.5** **CG** 1.5 gpm (5.7 L/min) flow restrictor
- 1.75** 1.75 gpm (6.6 L/min) flow rate restrictor
- Delete Suffix B** Chrome plastic escutcheon on valve with color graphic/indicators in place of standard brass escutcheon
- L1** Less showerhead
- L7** Less handle
- TC** Test Cap Trim (includes TA-10&T-12A) used with 16 series Temptrol Valve
- BBZ** Brushed Bronze finish
- MB** Matte Black finish
- STN** Satin Nickel finish

Warranty

Limited Lifetime - to the original end purchaser in consumer/residential installations.

10 Years - for commercial/industrial installations. Refer to www.symmons.com/warranty for complete warranty information.



SKU Builder

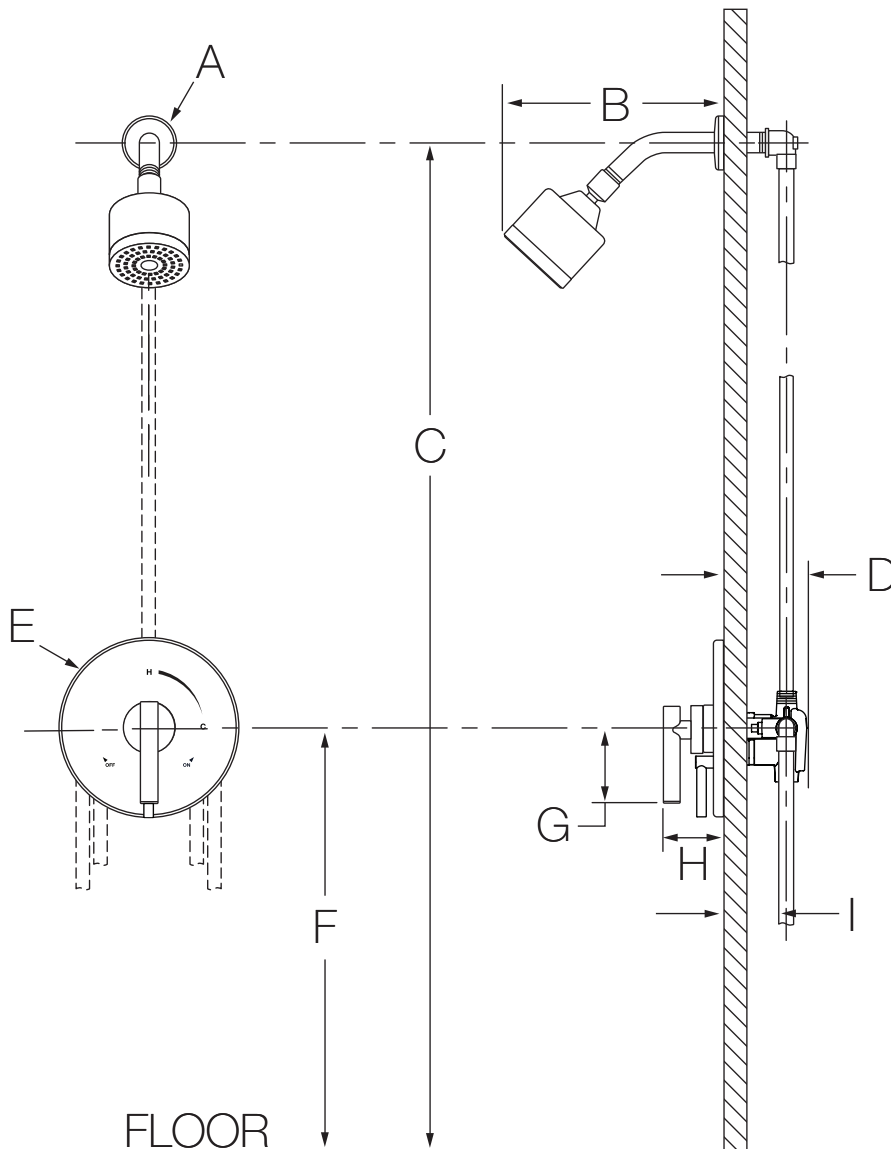
Series	Finish	Modifier	Flow Rate	TRM (required)	TC	Final SKU
S-3501-CYL-B	STN		1.5	TRM		S-3501-CYL-B-STN-1.5-TRM
S3501B	MB	L1		TRM	TC	S3501BMBL1TRMTC

Note: No more than two modifiers (L1-L7) and modifier order will follow numerical order.

Architectural/ Engineering Specification

Symmons _____ With Dia Shower Trim, Requires Temptrol® Pressure Balancing Shower Valve, Integral volume control, Metal level handle, 1 mode showerhead, 2.0 gpm (7.6 L/min) flow restrictor, Tub spout not included. Components shall be metal and nonmetallic construction, plated in standard Polished Chrome finish, Available with TA-10 flow control spindle and T-12A cap assembly for Temptrol valve bodies installed with Test Cap (order p/n S3501CYLBTRMTC). 10 Year commercial Warranty. ASME A112.18.1/CSA B125.1, WaterSense 1.5 gpm (5.7 L/min) 2.0 gpm (7.6 L/min), complaint. Available options: "1.5 - 1.5 gpm (5.7 L/min) flow restrictor", "1.75 - 1.75 gpm (6.6 L/min) flow rate restrictor", "Delete Suffix B - Chrome plastic escutcheon on valve with color graphic/indicators in place of standard brass escutcheon", "L1 - Less showerhead", "L7 - Less handle", "TC - Test Cap Trim", "BBZ - Brushed Bronze finish", "MB - Matte Black finish", "STN - Satin Nickel finish", "1L - 1" Spindle Extension".

Dimensions



Measurements	
A	Ø 2-1/2", 64 mm
B	6-3/4", 171 mm
C	Ref. 77", 1956 mm
D	3-1/2", 89 mm
E	Ø 7-1/2", 191 mm
F	Ref. 42", 1067 mm
G	3", 76 mm
H	2-7/8", 73 mm
I	Rough-in 2-3/8" ± 1/2", 60 mm ± 13 mm
J	6-3/4", 171 mm
K	6", 152 mm
L	5-5/8", 143 mm

Notes:

- 1) Valve body and piping not included and shown as reference only.
- 2) Plaster shield (p/n T-176) for dry wall, plaster or other type walls 1/2" or greater.
- 3) All dimensions measured from nominal rough-in (see I as reference).
- 4) Dimensions subject to change without notice.