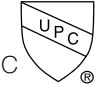



FSTF5672
 Floor Standing Tub Filler
Specification Submittal

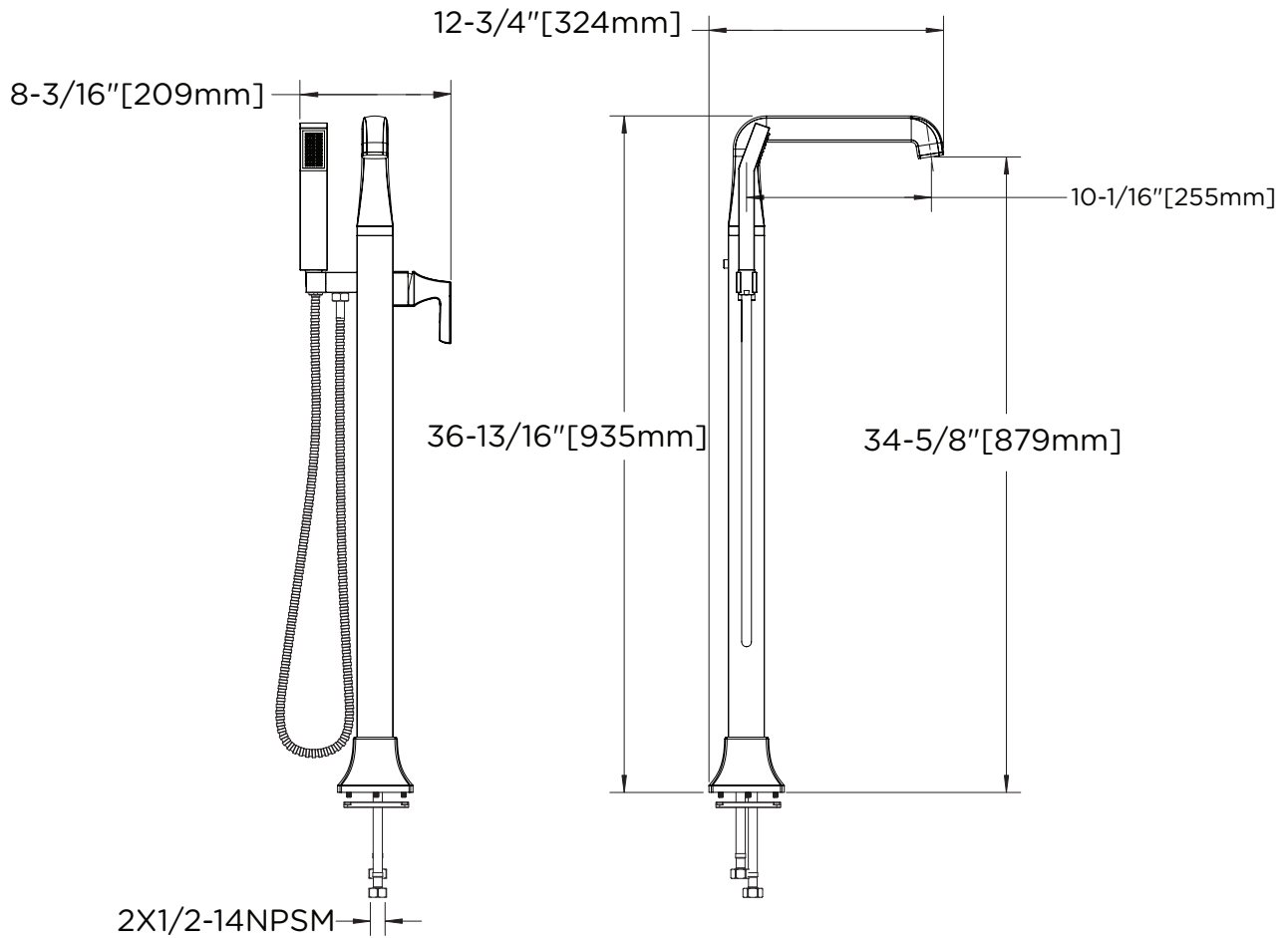
Location:

Model Numbers	Feature Highlights	
<input type="checkbox"/> FSTF5672 <i>Floor standing tub filler</i>	<ul style="list-style-type: none"> • Ceramic cartridge. • Push button to divert from spout to hand shower. • 60" flexible metal hose. • Single-Mode hand shower with dual check valves. • 2.0 gpm (7.6 L/min) hand shower. • Floor Standing Tub Filler shall be metal construction plated in standard Polished Chrome finish. • 5.3 gpm (20.1 L/min) at 45 psi tub filler. • 6.5 gpm (24.6 L/min) at 60 psi tub filler. 	
Options/ Modifications	Warranty	
Compliance <ul style="list-style-type: none"> • ASME A112.18.1. • CSA B125.1. 	<ul style="list-style-type: none"> • Limited Lifetime - for residential installations. • 10 Years - for commercial/industrial installations. <p>Refer to www.symmons.com/warranty for complete warranty information.</p>	

Architectural/Engineering Specification

Symmons Oak Floor Standing Tub Filler _____ Includes ceramic cartridge, push button to divert from spout to hand shower, 60" flexible metal hose, single-mode hand shower with dual check valves, 2.0 gpm (7.6 L/min) hand shower, floor Standing Tub Filler shall be metal construction plated in standard Polished Chrome finish, 5.3 gpm (20.1 L/min) at 45 psi tub filler, 6.5 gpm (24.6 L/min) at 60 psi tub filler. 10 Year Commercial Warranty. ASME A112.18.1/CSA B125.1 complaint. Available options: BBZ = Brushed Bronze finish, MB = Matte Black finish, STN = Satin Nickel finish.

Dimensions



Notes:

- 1) Dimensions subject to change without notice.