

543RH, 543TB-18, 543TB-24, 543TP, 543TR

Degas[®] Accessories

Operation & Maintenance Manual

Model Numbers	Specifications
<input type="checkbox"/> 543RH <i>Robe Hook</i> <input type="checkbox"/> 543TB-18 <i>18" Towel Bar</i> <input type="checkbox"/> 543TB-24 <i>24" Towel Bar</i> <input type="checkbox"/> 543TP <i>Toilet Paper Holder</i> <input type="checkbox"/> 543TR <i>Towel Ring</i>	<p>All premium accessories made from brass plated in standard polished chrome finish.</p>
Modifications	Warranty
<input type="checkbox"/> -ORB <i>Oil rubbed bronze finish</i> <input type="checkbox"/> -STN <i>Satin nickel finish</i>	<p>Limited Lifetime - to the original end purchaser in consumer installations. 5 Years - for commercial installations.</p> <p>Refer to www.symmons.com/warranty for complete warranty information.</p> <p>⚠ WARNING: This product can expose you to chemicals including lead, which is known to the state of California to cause cancer, birth defects, or other reproductive harm. For more information, go to www.P65Warnings.ca.gov.</p>

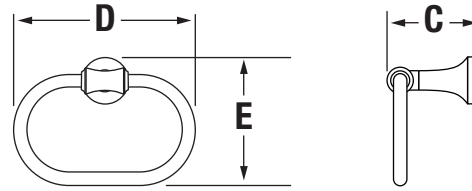
Note: Append appropriate -suffix to model number.

Dimensions

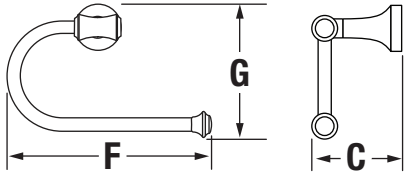
543RH



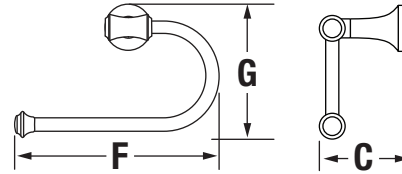
543TR



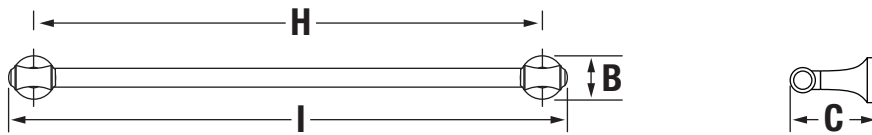
543TPL



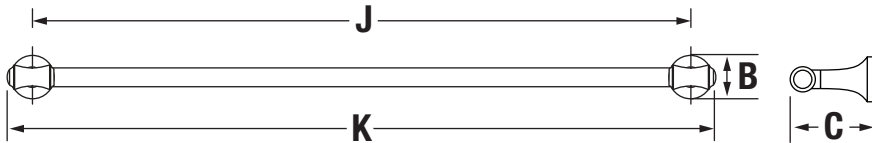
543TPR



543TB-18



543TB-24



Measurements

A	1 7/8", 48 mm
B	1 5/8", 41 mm
C	3 3/16", 81 mm
D	6 9/16", 167 mm
E	4 5/8", 118 mm
F	7 3/8", 187 mm
G	4 7/8", 124 mm
H	18", 457 mm
I	19 3/4", 502 mm
J	24", 610 mm
K	25 3/4", 654 mm

Required for Installation

Allen wrench (3/16")	
Phillips head screwdriver	
Power drill	

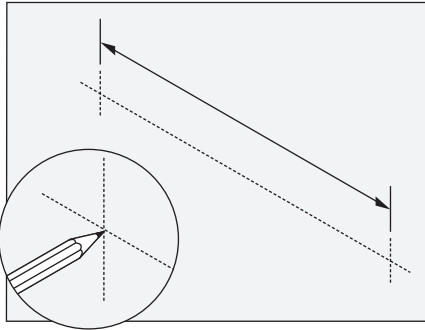
Replacement Parts

Description	Part Number
Mounting Hardware Kit Less Bracket	RA-017
Mounting Hardware Kit With Bracket	RA-019

Note: Dimensions are subject to change without notice.

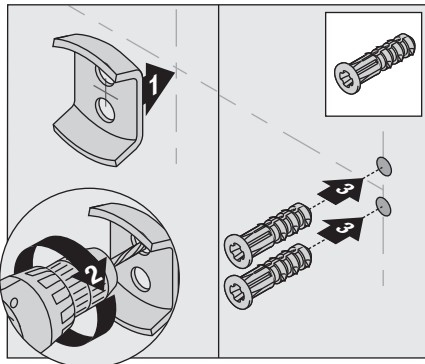
Installation

- 1) Measure and mark centerlines for mounting bracket installation using dimensions on page 2.

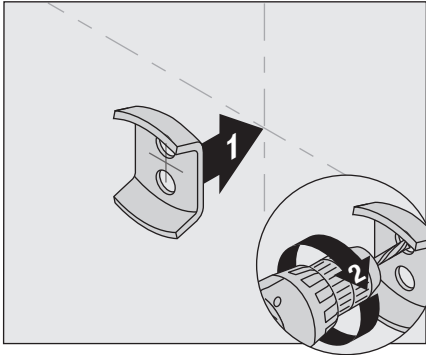


Notes: 543TB-18 and 543TB-24 only. Make sure both centerline marks are level.

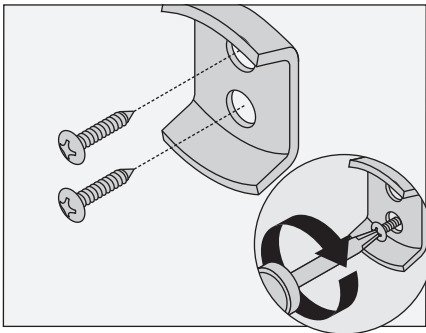
- 2a) **Dry Wall Option:** Place mounting brackets into desired position. Using brackets as a guide, mark holes. Screw tile anchors into wall.



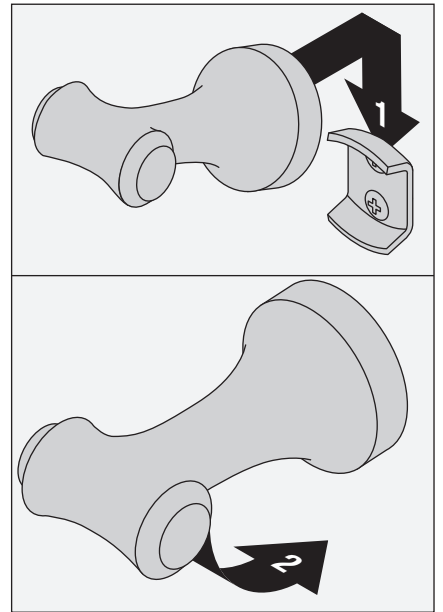
- 2b) **Stud Option:** Place mounting brackets into desired position. Using brackets as a guide, carefully drill 3/16" holes into wall.



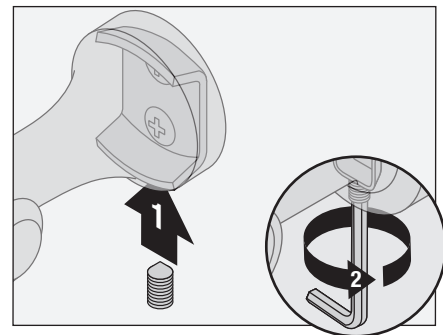
- 3) With mounting brackets in position, secure to wall using screws.



- 4) Hang top of accessory on mounting bracket. Lower into position.



- 5) Secure with set screw.



Care and Cleaning

- 1) Clean finished trim area with a soft cloth using mild soap and water or a non-abrasive cleaner and then quickly rinse with water.