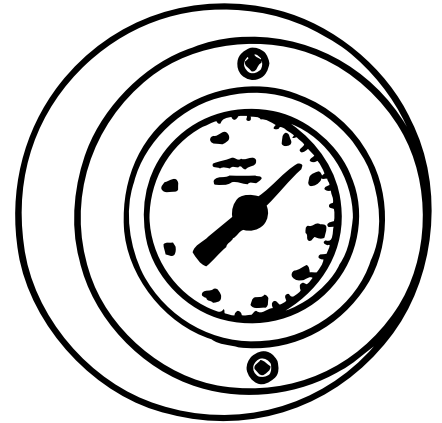


Location:



Dial Thermometer, Model G Specification Submittal



Feature Highlights

- Symmons color coded 3" bimetal dial thermometer
- Dial scale 0° F to 140° F
- Hermetically sealed with a shatter proof face
- Probe length approximately 2-1/2" long
- 1/2" NPT connection

Model Numbers

- G.....Dial Thermometer

Finish Options

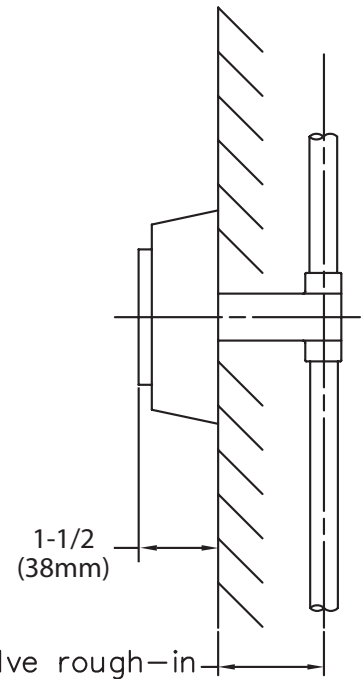
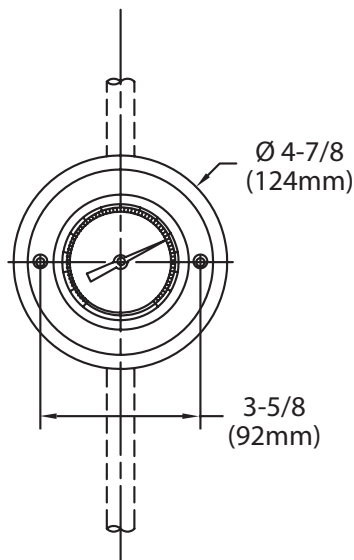
Append appropriate -suffix to model number

- Polished chrome finish (standard)

Warranty

- Limited Lifetime - to the original end purchaser in consumer installations
- 5 years - for commercial installations

Dimensions Dial Thermometer, Model G



Note: Dimensions subject to change without notice.